



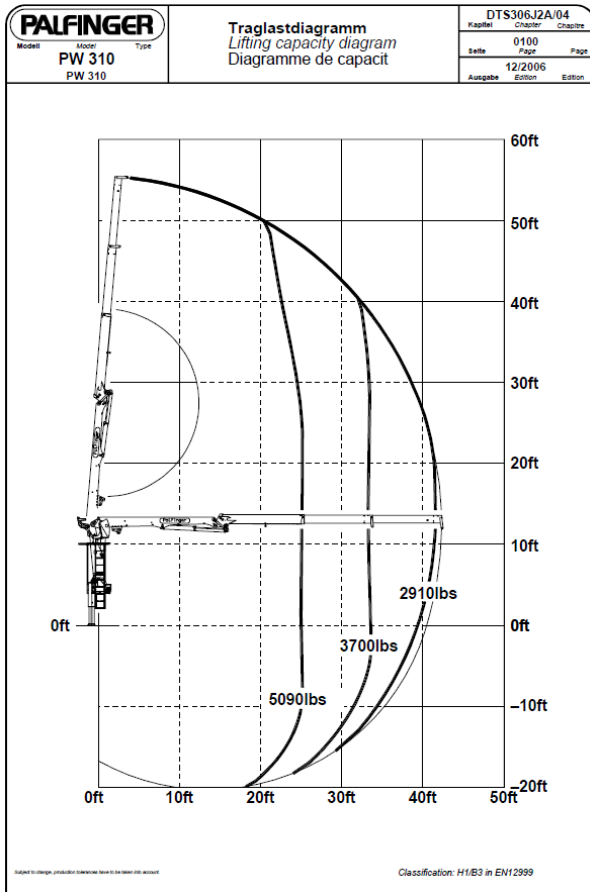
A Member of the *Palfinger* North America Group

Work Truck Solutions for Light Roofing: PW 310



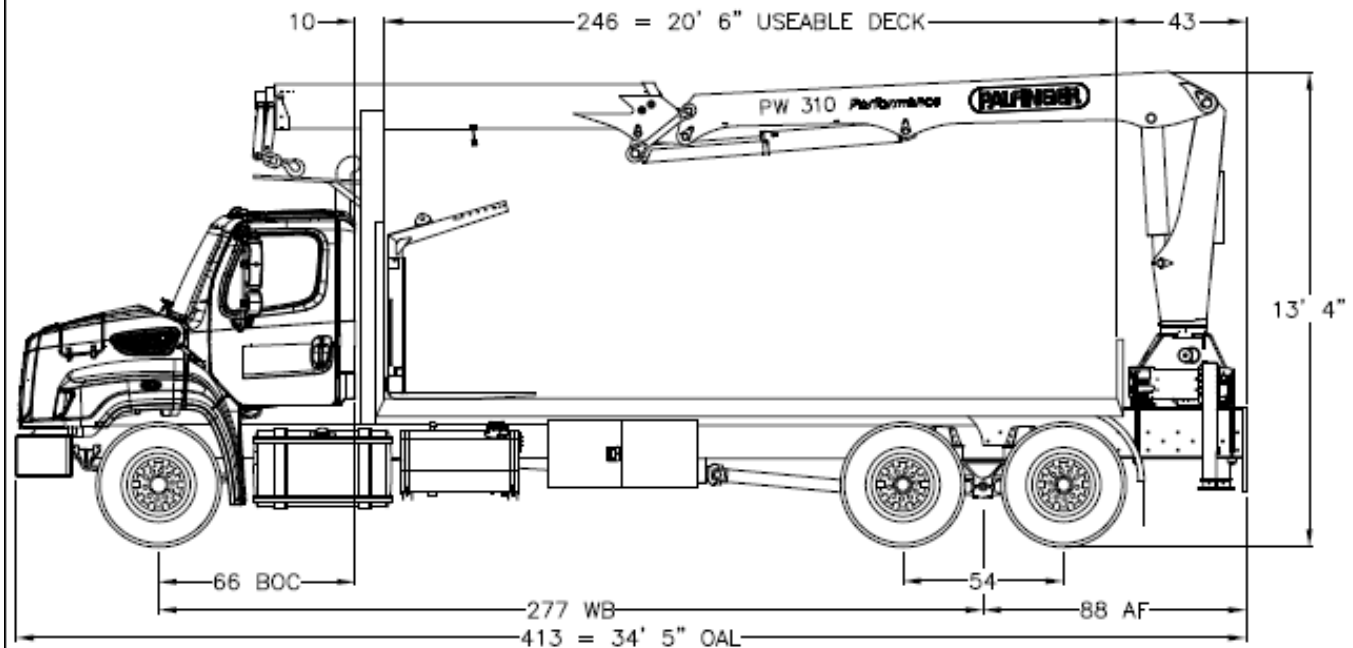
PALFINGER CRANE

PALFLEET TRUCK EQUIPMENT



- All cylinders and hoses internally mounted to protect from damage.
- Center mount column and in-line main and outer booms means proportionate reach on both sides of truck.
- 42'4" reach, 2910 lb capacity, and weight to lift ratio make the PW 310 the best in its class for light roofing delivery.
- Proven base design used on PALFINGER's larger cranes.

TRUCK: FREIGHTLINER 114SD



Your PalFleet Light Roofing Sales & Service Professionals

4151 W SR 18 Tiffin, OH, 44883
Phone (419) 448-8156
www.tiffincrane.com

