

PK 46002

High Performance

PALFINGER



It's a snap to join the heavy duty range

Equipped with the endless slewing system and double slewing drive, maintenance-free extension boom system, functional design elements and Power Link Plus, the PK 46002 is truly an ambassador of PALFINGER's leadership in technology. Designed exclusively for North America, this top seat controlled crane is the perfect crane for a 3-axle chassis, it has a wide spectrum of uses and is equally suited for concrete forming, assembly work, transport of containers, construction, and other heavy jobs.

Reliable and efficient

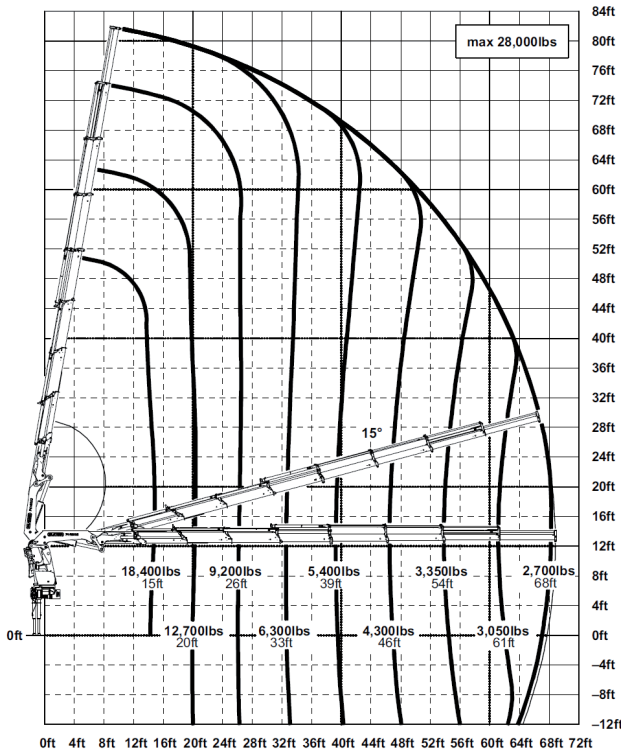
PALFINGER USA Inc.
 4151 West State Route 18
 Tiffin, OH 44883
 U.S.A.
 Tel. 419-937-2190

PALFINGER Inc.
 7942 Dorchester Rd.
 Niagara Falls, ON L2E 6V6
 Canada
 Tel. 905-374-3363
 Fax 905-374-1203
 Toll Free 800-567-1554
 www.palfinger-northamerica.com

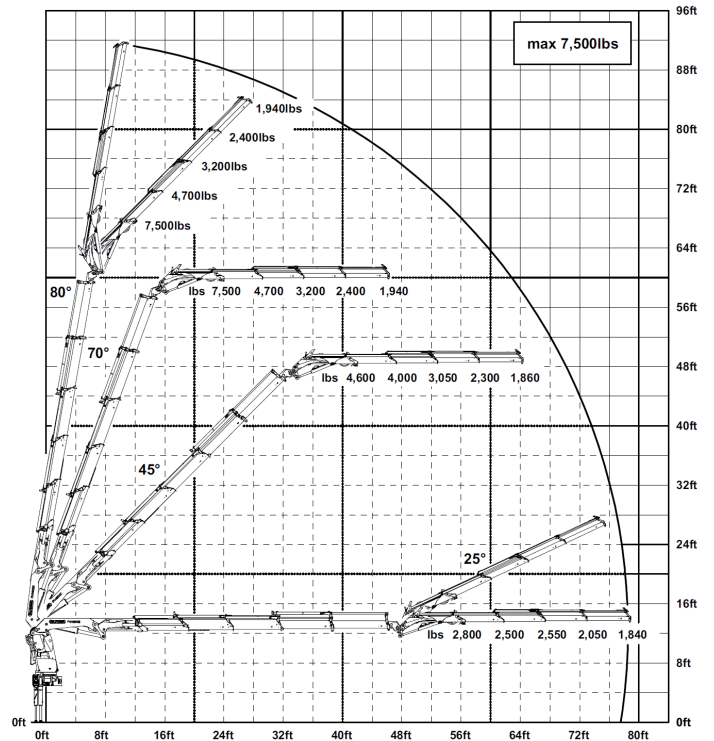
PK 46002
 05.11

PK 46002 High Performance

PK 46002 G

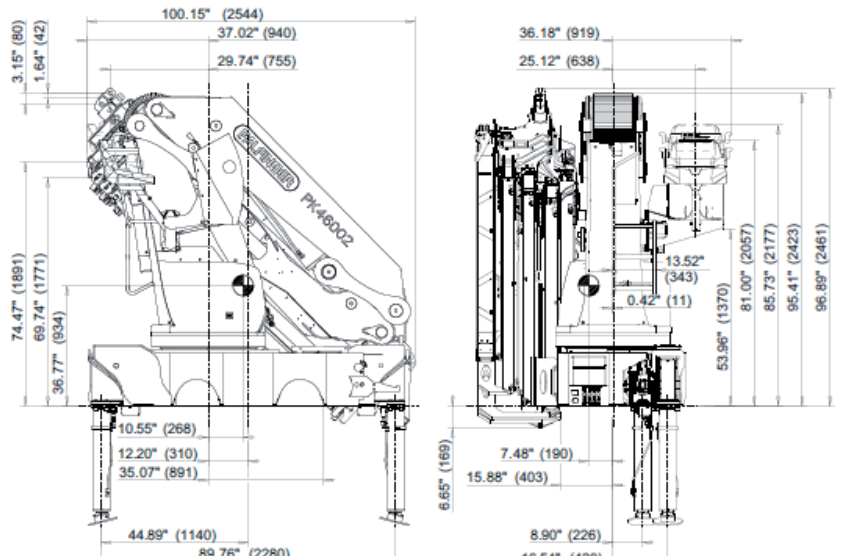


PK 46002 D + PJ 100 C



Technical Specifications

Max. lifting moment	312,460 ft.lbs
Max. lifting capacity	34,200 lbs
Max. hydraulic outreach	68' 11"
Max. Hydraulic Reach w/ Jib	106' 8"
Slewing angle	Continuous
Slewing torque (net)	39,780 ft.lbs
Linkage System	Power Link Plus, 15°
Stabilizer spread	25' 7"
Max. operating pressure	4,640 psi
Recommended pump capacity	21 - 26 US gal/min
Dead weight (std.)	9,446 lbs



Applications shown in the leaflet do not always correspond to the standard specifications. Design and specification are subject to change without prior notice.

Note (*): Optional equipment
 www.palfinger-northamerica.com