

PK 4501 / 5001 EH

PALFINGER

LIFETIME EXCELLENCE

**HIGH SPEED EXTENSION OFFERS SHORT
LOAD CYCLES – THIS MEANS MORE
EFFICIENCY IN USE**



LIFETIME EXCELLENCE

PALFINGER LOADER CRANES ARE OUTSTANDING WITH THEIR SUPERIOR LIFE-CYCLE PERFORMANCE. THEY ARE THE MOST ECONOMICAL AND ALSO THE MOST RELIABLE OVER THE ENTIRE PRODUCT LIFE. FROM SOLUTION FINDING TO RESALE.

BETTER
SOLUTIONS

BETTER
EFFICIENCY

BETTER
ERGONOMICS

HIGHER VALUE
RETENTION



HIGHER
AVAILABILITY

HIGHER
SERVICEABILITY

BETTER
ECOLOGY

MORE
RELIABILITY



OPTIMUM USE OF PAYLOAD





- Shorter load cycle times due to High Speed Extension
- Perfect appearance and the highest value retention due to KTL
- Maximum utilisation of the working range thanks to HPSC
- Increased operating times due to low-maintenance extension system
- Higher payloads due to intelligent lightweight design



FIRST-RATE IN DESIGN AND PERFORMANCE

12 HIGHLIGHTS



KNUCKLE JOINT ON KNUCKLE BOOM
MORE POWER ON THE HOOK

The knuckle joint significantly improves the crane's motion geometry



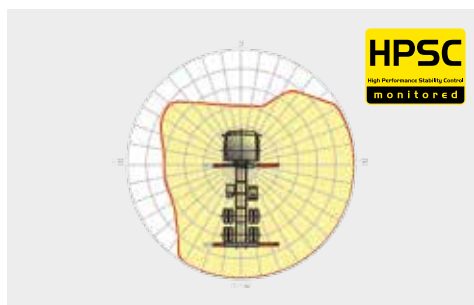
LOW-MAINTENANCE EXTENSION SYSTEM
REDUCES SERVICE TIME

With sliding elements made of synthetic material and the high-quality KTL coating, this boom system significantly simplifies service performed by the operator. This saves time and money – and protects the environment.



HIGH SPEED EXTENSION
FOR EFFICIENT ASSIGNMENTS

The High Speed Extension speeds up the extension boom system. Crane works faster and more efficiently.



HPSC
MAXIMUM UTILISATION OF THE WORKING RANGE

The variable stabiliser positioning of the High Performance Stability Control System makes it possible to utilise the lifting capacity to the maximum. It enables working within tight spaces.



PAL 50
COMFORT AND SAFETY

The PALTRONIC 50, PALFINGER offers the latest control electronics for the series production crane. The custom designed electronic operates and monitors the crane and offers more efficiency in use and safety.



CONTROL CONSOLE
ALL INFORMATION AT A GLANCE

All important information about the crane can be seen on the main control stand. A digital indicator counts and displays the operating hours. Ergonomic control levers and the optional lighting package provide increased safety and comfort even in poor visibility conditions.



KTL – CATHODIC DIP PAINTING
FOR RETAINING HIGH VALUE

The UV-resistant coating guarantees long-term surface protection. Perfect appearance during the entire lifetime for maximum resale value.



FUNCTIONAL DESIGN
PRACTICAL AND ATTRACTIVE

Robust plastic covers protect crane parts against dirt and damage. Better appearance and increased operational comfort – during the entire lifetime.



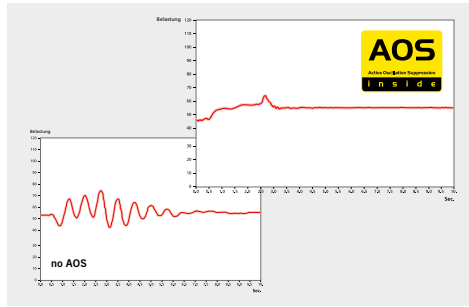
RADIO REMOTE CONTROL
DIALOGUE WITH THE OPERATOR

PALFINGER radio remote controls are equipped with linear lever or cross lever and provide the greatest possible comfort for the operator. All EH models with LED-Display inform the crane operator about the different operating conditions.



HOSE EQUIPMENT FOR ATTACHMENTS
VERSATILE AND USER-FRIENDLY

The hose equipment offers an easy means of connecting auxiliary equipment. The hose equipment is guided in hose trays for protection.



AOS
MAXIMUM PRECISION AND SAFETY

The active oscillation suppression system prevents "post-oscillation" in the event of rapid braking or load changes. The stress peaks on the extension boom system are reduced and material fatigue and wear are minimised. This increases the resale value.



LIGHTING PACKAGE*
MORE CRANE SAFETY PARTICULARLY AT DUSK AND DARK

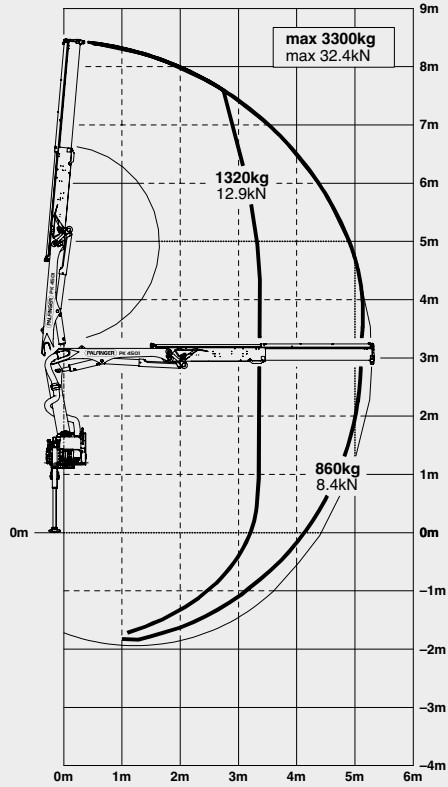
LEDs which backlight the control panel make it easier to read off the crane functions and provide the crane operator with a quick overview of the entire panel during the working process. LED warning lights in the supporting cylinders mean greater safety for crane operator and passers-by.



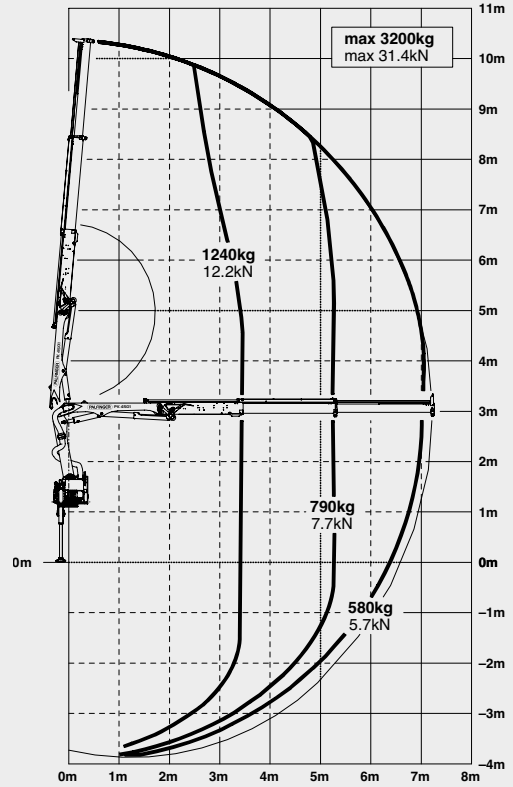
* Optional features / country-specific equipment

PK 4501 HIGH PERFORMANCE

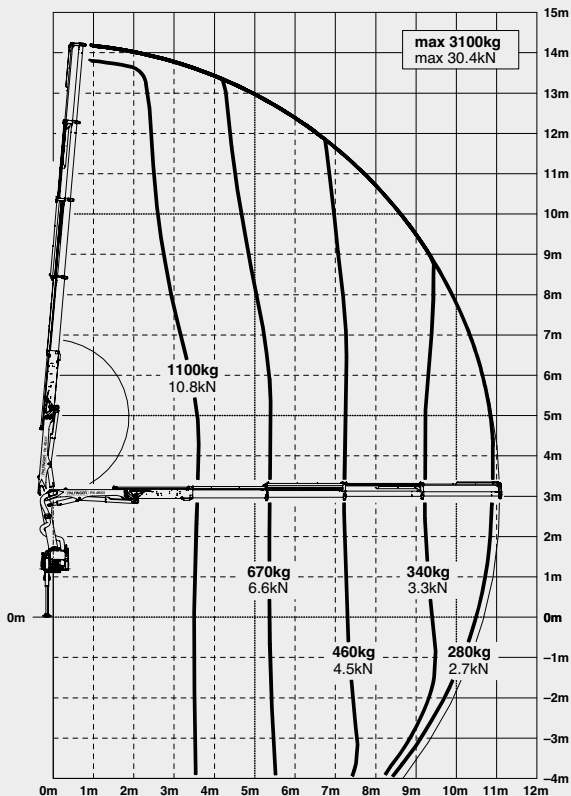
STD



A

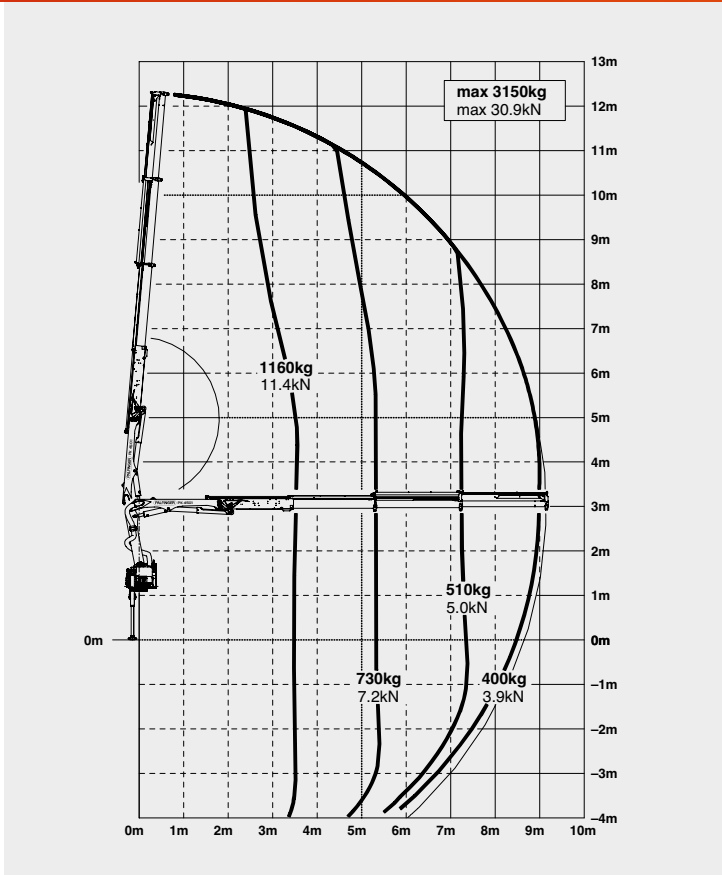


C



IT'S DILIGENCE YOUR STRENGTH

B



LIFTING CAPACITIES

STD		max.	3300 kg	7270 lbs
3.4 m	11' 2"		1320 kg	2900 lbs
5.2 m	17' 1"		860 kg	1880 lbs

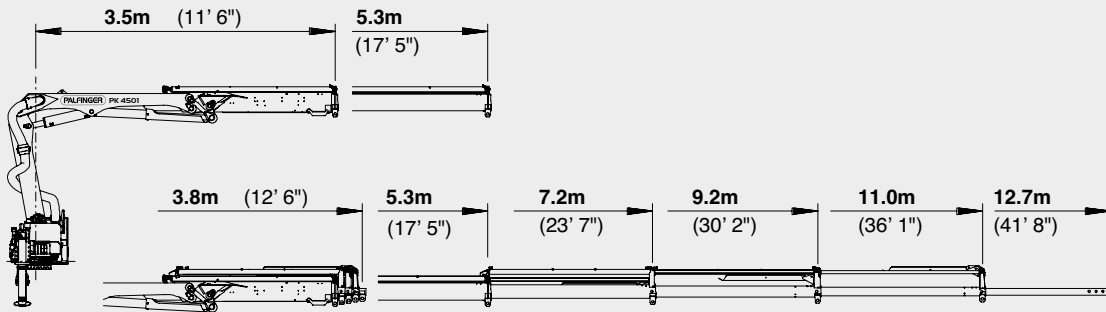
A		max.	3200 kg	7100 lbs
3.5 m	11' 6"		1240 kg	2750 lbs
5.2 m	17' 1"		790 kg	1740 lbs
7.1 m	23' 4"		580 kg	1280 lbs

B		max.	3150 kg	6940 lbs
3.5 m	11' 6"		1160 kg	2600 lbs
5.3 m	17' 5"		730 kg	1600 lbs
7.2 m	23' 7"		510 kg	1140 lbs
9.0 m	29' 6"		400 kg	880 lbs
11.0 m*	36' 1"		310 kg	680 lbs
12.6 m*	41' 4"		220 kg	490 lbs

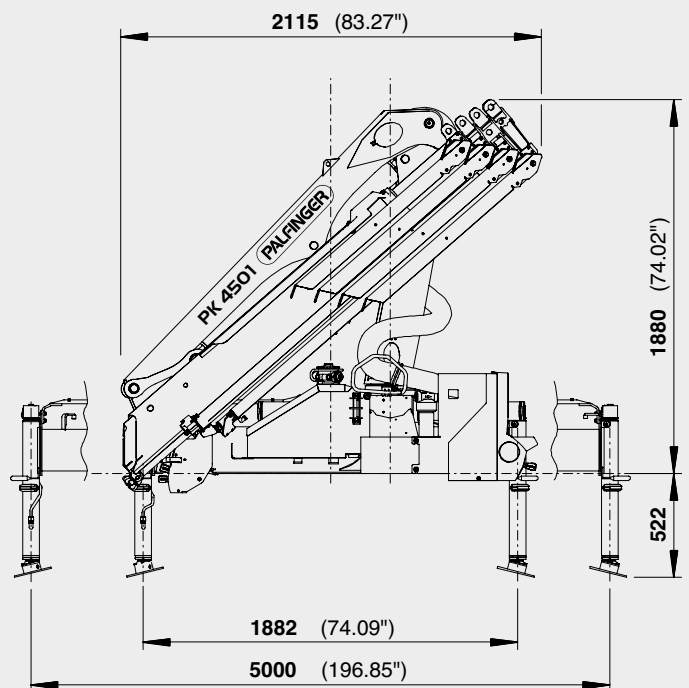
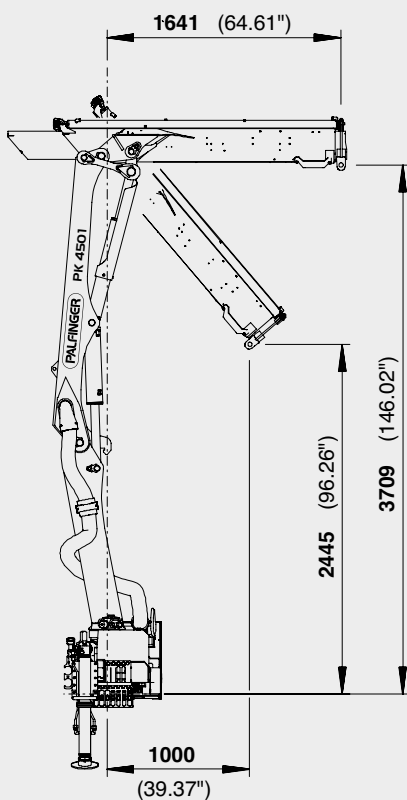
C		max.	3100 kg	6830 lbs
3.6 m	11' 10"		1100 kg	2450 lbs
5.4 m	17' 9"		670 kg	1480 lbs
7.3 m	23' 11"		460 kg	1000 lbs
9.1 m	29' 10"		340 kg	760 lbs
11.0 m	36' 1"		280 kg	610 lbs
12.5 m*	41' 0"		220 kg	490 lbs

PERFECT DIMENSIONS

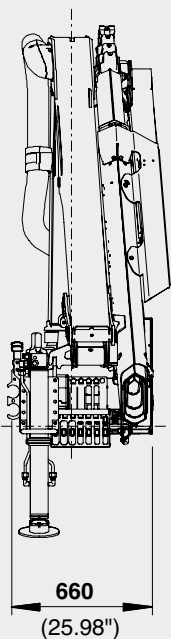
EXTENSION BOOM VARIATIONS



DIMENSIONS



PK 4501

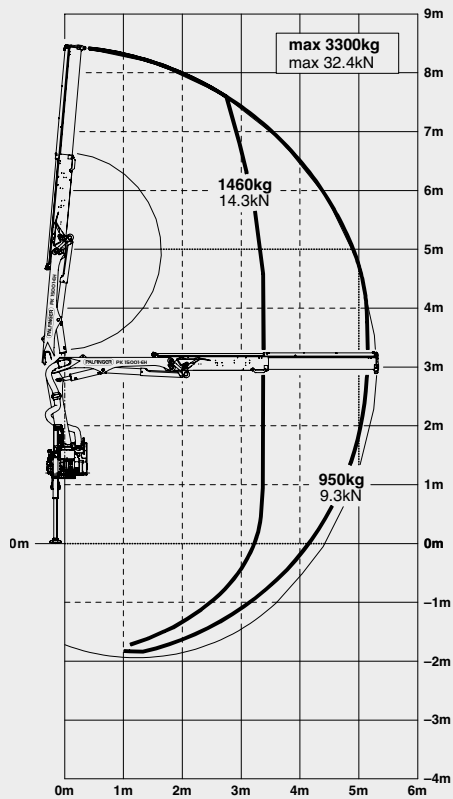


TECHNICAL SPECIFICATIONS (EN 12999 HC1 HD4/B3)

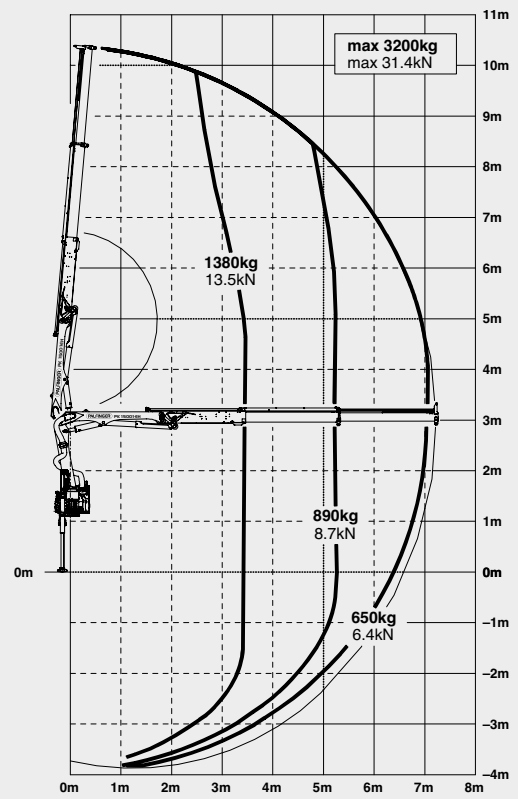
Max. lifting moment	4.4 mt/43.2 kNm	31840 ft.lbs
Max. lifting capacity	3300 kg/32.4 kN	7270 lbs
Max. hydraulic outreach	11.1 m	36' 5"
Max. manual outreach	12.7 m	41' 8"
Slewing angle	400°	
Slewing torque	0.6 mt/5.9 kNm	4340 ft.lbs
Stabiliser spread (std./max.)	2.9 m / 5.0 m	9' 6" / 16' 5"
Fitting space required (std.)	0.66 m	2' 2"
Width folded	2.10 m	6' 11"
Max. operating pressure	320 bar	4640 psi
Recommended pump capacity	from 15 l/min to 25 l/min	4.0 US gal./min 6.6 US gal./min
Dead weight (std.)	698 kg	1540 lbs

PK 5001 EH HIGH PERFORMANCE

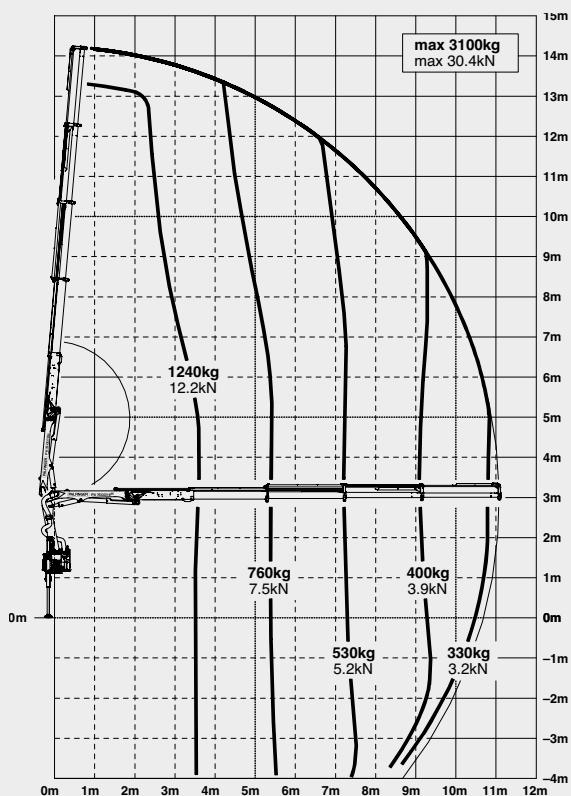
STD



A

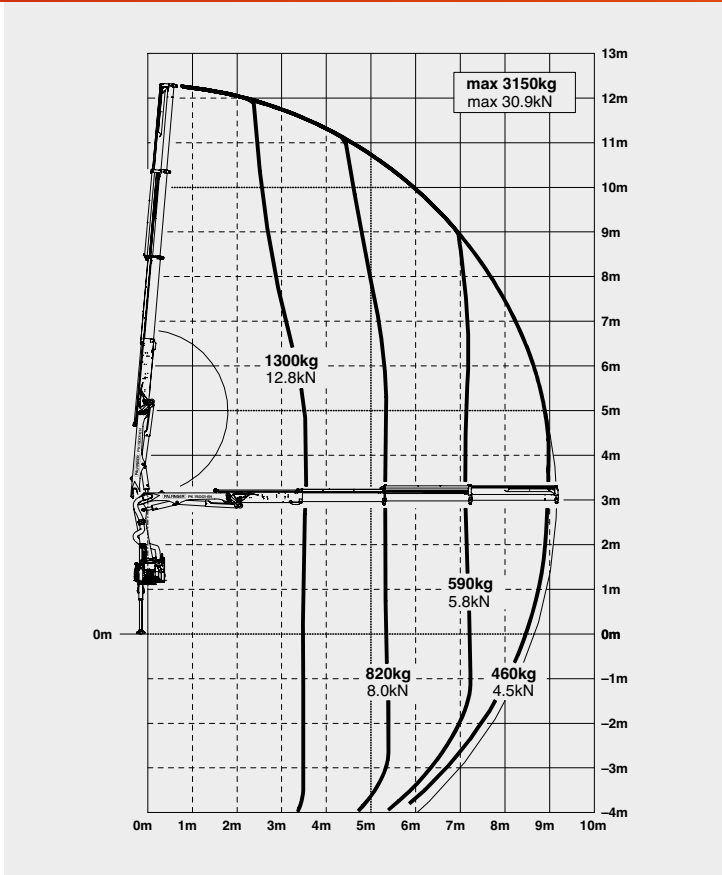


C



HIGH PERFORMANCE TECHNOLOGY

B



LIFTING CAPACITIES

STD	max.		3300 kg	7270 lbs
	3.4 m	11' 2"	1460 kg	3250 lbs
5.2 m	17' 1"	950 kg	2100 lbs	

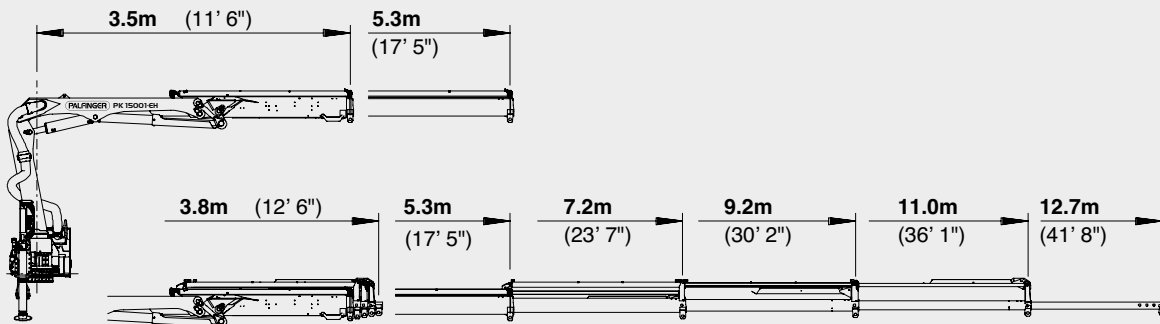
A	max.		3200 kg	7050 lbs
	3.5 m	11' 6"	1380 kg	3050 lbs
5.2 m	17' 1"	890 kg	1960 lbs	
7.1 m	23' 4"	650 kg	1420 lbs	

B	max.		3150 kg	6940 lbs
	3.5 m	11' 6"	1300 kg	2900 lbs
5.3 m	17' 5"	820 kg	1800 lbs	
7.2 m	23' 7"	590 kg	1280 lbs	
9.0 m	29' 6"	460 kg	1000 lbs	
11.0 m*	36' 1"	330 kg	730 lbs	
12.6 m*	41' 4"	220 kg	490 lbs	

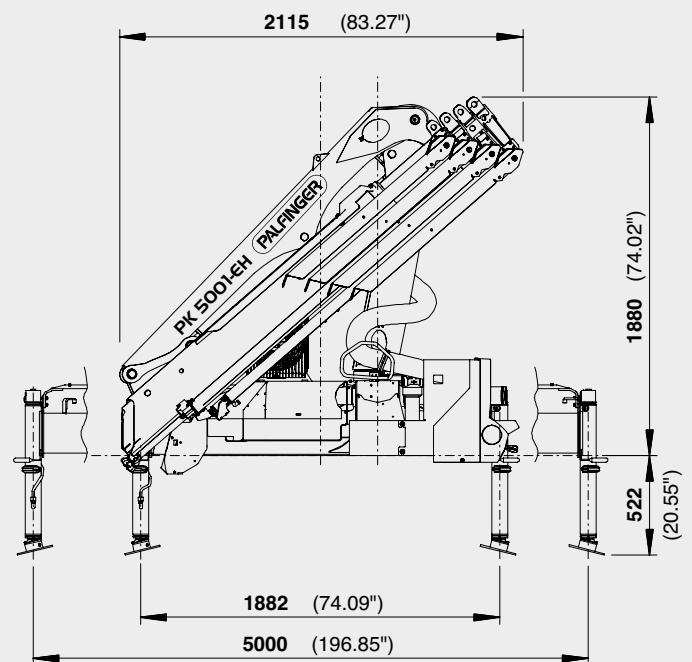
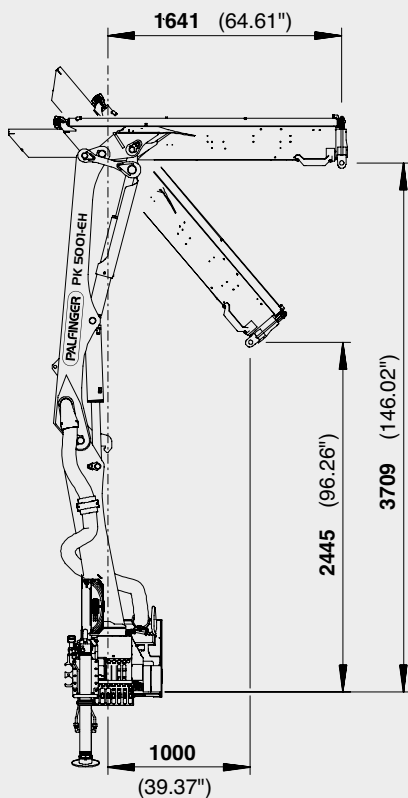
C	max.		3100 kg	6830 lbs
	3.6 m	11' 10"	1240 kg	2750 lbs
5.4 m	17' 9"	760 kg	1680 lbs	
7.3 m	23' 11"	530 kg	1160 lbs	
9.1 m	29' 10"	400 kg	880 lbs	
11.0 m	36' 1"	330 kg	720 lbs	
12.5 m*	41' 0"	220 kg	490 lbs	

PERFECT DIMENSIONS

EXTENSION BOOM VARIATIONS



DIMENSIONS



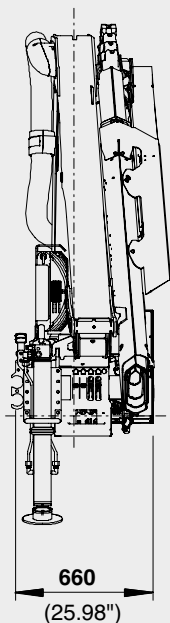
PK 5001 EH

TECHNICAL SPECIFICATIONS (EN 12999 HC1 HD4/B3)

Max. lifting moment	4.9 mt/48.1 kNm	35450 ft.lbs
Max. lifting capacity	3300 kg/32.4 kN	7270 lbs
Max. hydraulic outreach	11.1 m	36' 5"
Max. manual outreach	12.7 m	41' 8"
Slewing angle	400°	
Slewing torque	0.6 mt/5.9 kNm	4340 ft.lbs
Stabiliser spread (std./max.)	2.9 m / 5.0 m	9' 6" / 16' 5"
Fitting space required (std.)	0.66 m	2' 2"
Width folded	2.10 m	6' 11"
Max. operating pressure	350 bar	5075 psi
Recommended pump capacity	from 20 l/min to 30 l/min	5.3 US gal./min 7.9 US gal./min
Dead weight (std.)	708 kg	1560 lbs

PACKAGE MODEL

- E-HPLS
- Paltronic 50
- Radio remote control with LED display
- Danfoss control valve or PVG2000
- 75 l oil tank





Cranes shown in the leaflet are partially optional equipped and do not always correspond to the standard version. Country-specific regulations must be observed. Dimensions may vary. Subject to technical changes, errors and translation mistakes.