

**PK 6501 / 7001 EH**

**PALFINGER**

LIFETIME EXCELLENCE

**HIGHER PAYLOAD DUE TO INTELLIGENT  
LIGHTWEIGHT DESIGN – THIS MEANS  
MORE EFFICIENCY IN USE**



# LIFETIME EXCELLENCE

**PALFINGER LOADER CRANES ARE CONVINCING DUE TO THEIR SUPERIOR LIFE-CYCLE PERFORMANCE. THEY ARE THE MOST ECONOMICAL AND ALSO THE MOST RELIABLE OVER THE ENTIRE PRODUCT LIFE. FROM SOLUTION FINDING TO RESALE.**

BETTER  
SOLUTIONS

BETTER  
EFFICIENCY

BETTER  
ERGONOMICS

HIGHER VALUE  
RETENTION



HIGHER  
AVAILABILITY

HIGHER  
SERVICEABILITY

BETTER  
ECOLOGY

MORE  
RELIABILITY



# MULTI-FUNCTIONALITY FOR GREATER ACHIEVEMENT





- High operator friendliness thanks to optional radio remote control
- Maximum utilisation of the working range due to HPSC
- High value retention due to KTL coating
- More lifting power due to E-HPLS
- Shorter load cycle times due to High Speed Extension



# FIRST-CLASS IN DESIGN AND PERFORMANCE

# 12

## HIGHLIGHTS



**KNUCKLE JOINT ON KNUCKLE BOOM**  
MORE POWER ON THE HOOK

The knuckle joint significantly improves the crane's motion geometry



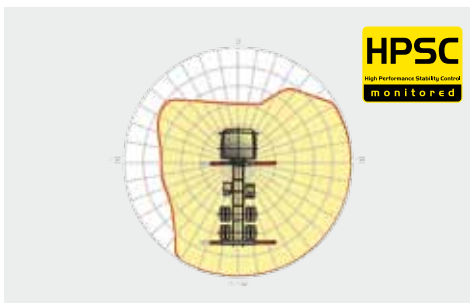
**MAINTENANCE-FREE EXTENSION SYSTEM**  
SAVES YOU SERVICE TIME

With sliding elements made of synthetic material and the high-quality KTL coating, this boom system works without any need for servicing by the operator. Saving you time and money while protecting the environment.



**HIGH SPEED EXTENSION**  
FOR EFFICIENT ASSIGNMENTS

The High Speed Extension speeds up the extension boom system. Crane works faster and more efficiently.



**HPSC**  
MAXIMUM UTILISATION OF THE WORKING RANGE

The variable stabiliser positioning of the High Performance Stability Control System makes it possible to utilise the lifting capacity to the maximum. It enables working within tight spaces.



**PAL 50**  
COMFORT AND SAFETY

The PALTRONIC 50, PALFINGER offers the latest control electronics for the series production crane. The custom designed electronic operates and monitors the crane and offers more efficiency in use and safety.



**CONTROL CONSOLE**  
ALL INFORMATION AT A GLANCE

All important information about the crane can be seen on the main control stand. A digital indicator counts and displays the operating hours. Ergonomic control levers and the optional lighting package provide increased safety and comfort even in poor visibility conditions.



**KTL – CATHODIC DIP PAINTING**  
FOR RETAINING HIGH VALUE

The UV-resistant coating guarantees long-term surface protection. Perfect appearance during the entire lifetime for maximum resale value.



**FUNCTIONAL DESIGN**  
PRACTICAL AND ATTRACTIVE

Robust plastic covers protect crane parts against dirt and damage. Better appearance and increased operational comfort – during the entire lifetime.



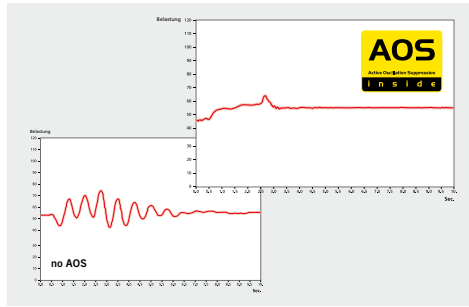
**RADIO REMOTE CONTROL**  
DIALOGUE WITH THE OPERATOR

PALFINGER radio remote controls are equipped with linear lever or cross lever and provide the greatest possible comfort for the operator. All EH models with LED-Display inform the crane operator about the different operating conditions.



**HOSE EQUIPMENT FOR ATTACHMENTS**  
VERSATILE AND USER-FRIENDLY

The hose equipment offers an easy means of connecting auxiliary equipment. The hose equipment is guided in hose trays for protection.



**AOS**  
MAXIMUM PRECISION AND SAFETY

The active oscillation suppression system prevents "post-oscillation" in the event of rapid braking or load changes. The stress peaks on the extension boom system are reduced and material fatigue and wear are minimised. This increases the resale value.



**LIGHTING PACKAGE\***  
MORE CRANE SAFETY PARTICULARLY AT DUSK AND DARK

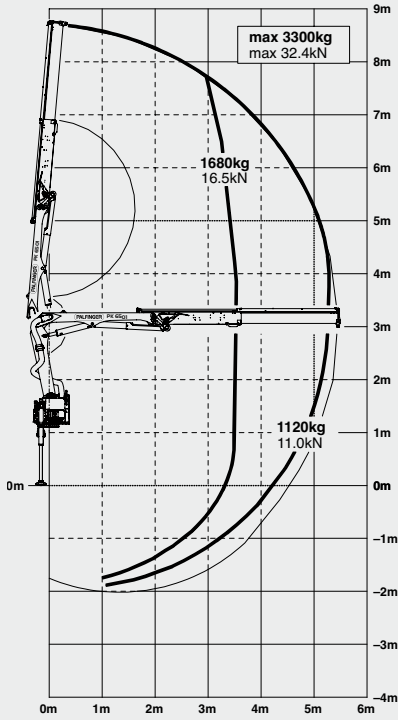
LEDs which backlight the control panel make it easier to read off the crane functions and provide the crane operator with a quick overview of the entire panel during the working process. LED warning lights in the supporting cylinders mean greater safety for crane operator and passers-by.



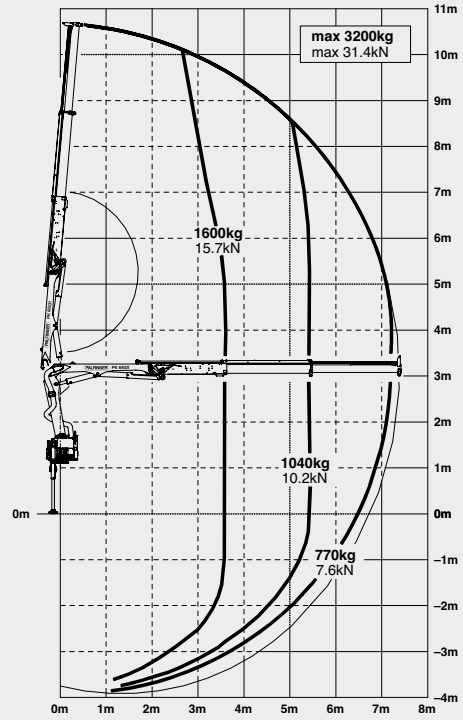
\* Optional features / country-specific equipment

# PK 6501 HIGH PERFORMANCE

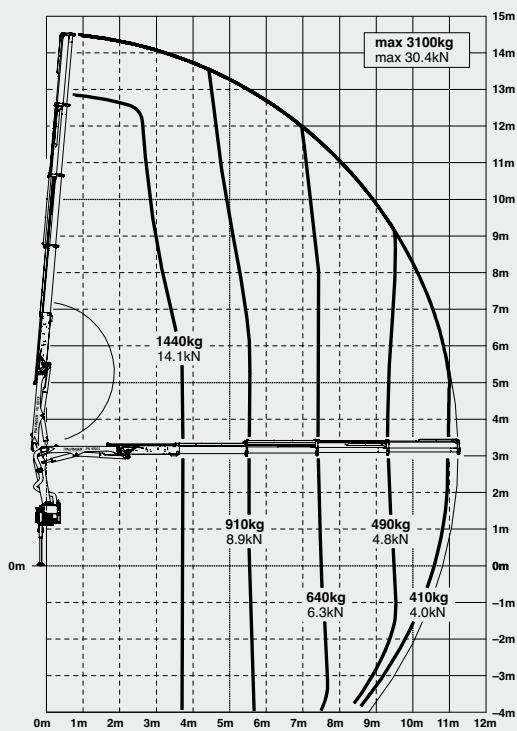
## STD



## A



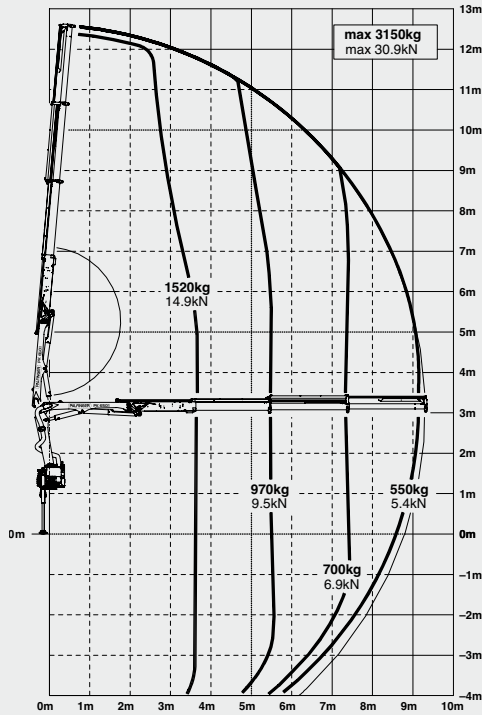
## C





# HIGH PERFORMANCE TECHNOLOGY

**B**



## LIFTING CAPACITIES

|             |        |                |                 |
|-------------|--------|----------------|-----------------|
| <b>max.</b> |        | <b>3300 kg</b> | <b>7270 lbs</b> |
| 3.5 m       | 11' 6" | 1680 kg        | 3700 lbs        |
| 5.3 m       | 17' 5" | 1120 kg        | 2450 lbs        |

**A**

|             |         |                |                 |
|-------------|---------|----------------|-----------------|
| <b>max.</b> |         | <b>3200 kg</b> | <b>7050 lbs</b> |
| 3.6 m       | 11' 10" | 1600 kg        | 3550 lbs        |
| 5.4 m       | 17' 9"  | 1040 kg        | 2300 lbs        |
| 7.2 m       | 23' 7"  | 770 kg         | 1700 lbs        |

**B**

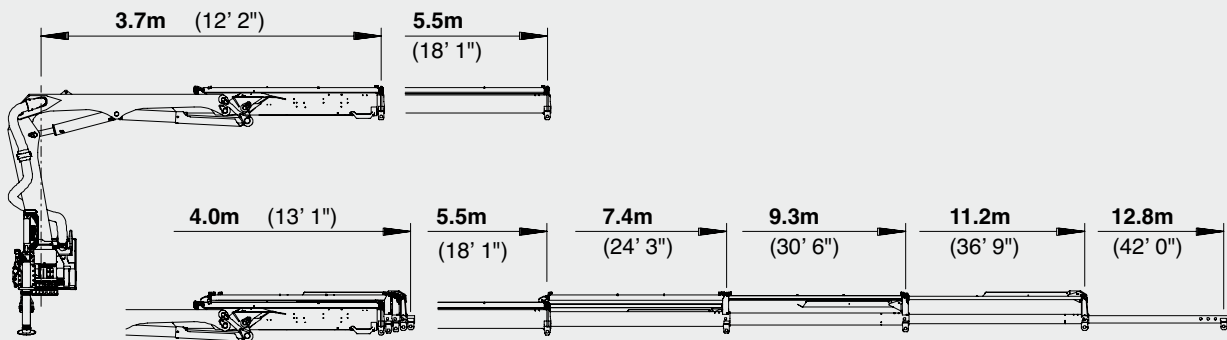
|             |         |                |                 |
|-------------|---------|----------------|-----------------|
| <b>max.</b> |         | <b>3150 kg</b> | <b>6940 lbs</b> |
| 3.7 m       | 12' 2"  | 1520 kg        | 3350 lbs        |
| 5.5 m       | 18' 1"  | 970 kg         | 2150 lbs        |
| 7.3 m       | 23' 11" | 700 kg         | 1540 lbs        |
| 9.2 m       | 30' 2"  | 550 kg         | 1220 lbs        |
| 11.2 m*     | 36' 9"  | 400 kg         | 880 lbs         |
| 12.8 m*     | 41' 12" | 220 kg         | 490 lbs         |

**C**

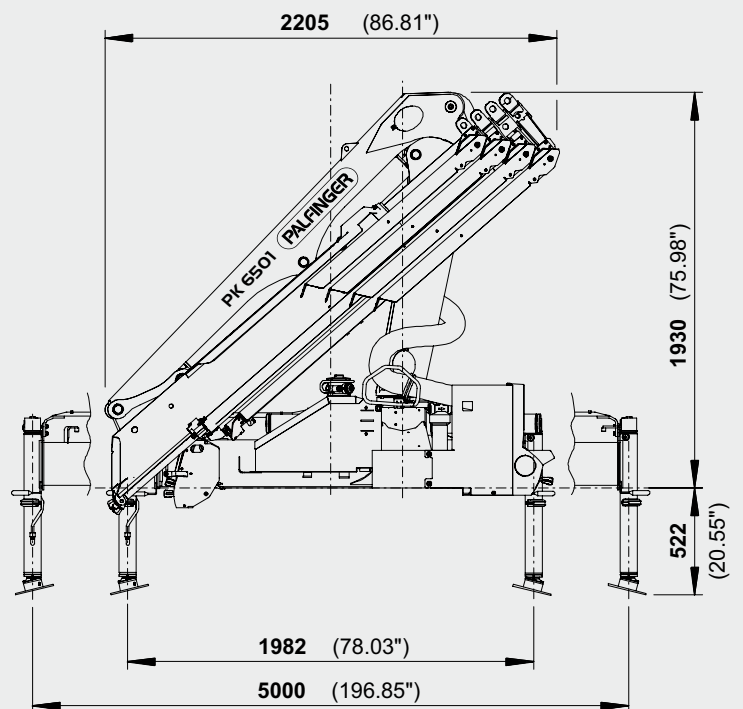
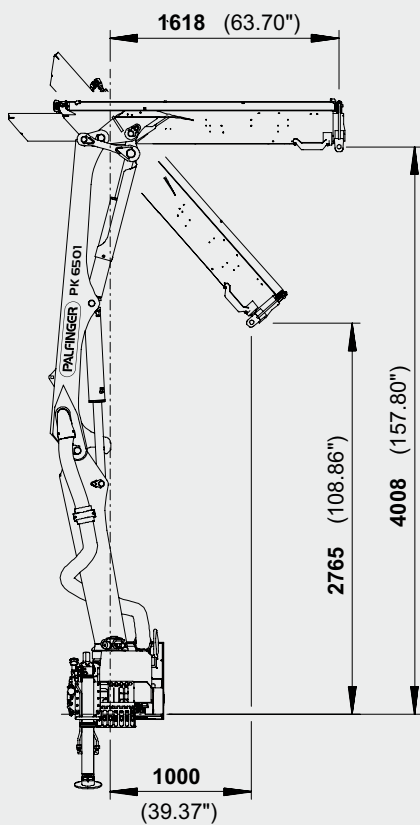
|             |        |                |                 |
|-------------|--------|----------------|-----------------|
| <b>max.</b> |        | <b>3100 kg</b> | <b>6830 lbs</b> |
| 3.8 m       | 12' 6" | 1440 kg        | 3200 lbs        |
| 5.6 m       | 18' 4" | 910 kg         | 2000 lbs        |
| 7.4 m       | 24' 3" | 640 kg         | 1420 lbs        |
| 9.3 m       | 30' 6" | 490 kg         | 1080 lbs        |
| 11.1 m      | 36' 5" | 410 kg         | 890 lbs         |
| 12.7 m*     | 41' 8" | 220 kg         | 490 lbs         |

# PERFECT DIMENSIONS

## EXTENSION BOOM VARIATIONS



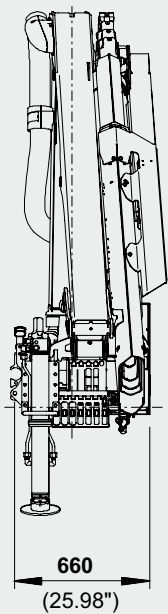
## DIMENSIONS



## PK 6501

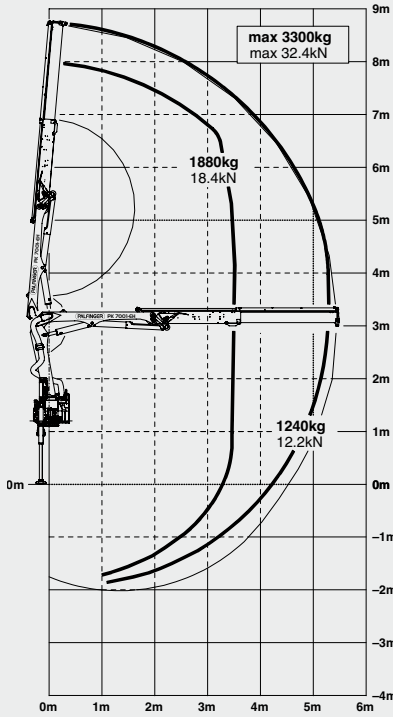
### TECHNICAL SPECIFICATIONS (EN 12999 HC1 HD4/B3)

|                               |                              |                                    |
|-------------------------------|------------------------------|------------------------------------|
| Max. lifting moment           | 5.9 mt/57.9 kNm              | 42690 ft.lbs                       |
| Max. lifting capacity         | 3300 kg/32.4 kN              | 7270 lbs                           |
| Max. hydraulic outreach       | 11.2 m                       | 36' 9"                             |
| Max. manual outreach          | 12.9 m                       | 42' 4"                             |
| Slewing angle                 | 400°                         |                                    |
| Slewing torque                | 0.8 mt/7.8 kNm               | 5790 ft.lbs                        |
| Stabiliser spread (std./max.) | 3.0 m / 5.0 m                | 9' 10" / 16' 5"                    |
| Fitting space required (std.) | 0.66 m                       | 2' 2"                              |
| Width folded                  | 2.20 m                       | 7' 2"                              |
| Max. operating pressure       | 320 bar                      | 4640 psi                           |
| Recommended pump capacity     | from 20 l/min<br>to 30 l/min | 5.3 US gal./min<br>7.9 US gal./min |
| Dead weight (std.)            | 754 kg                       | 1660 lbs                           |

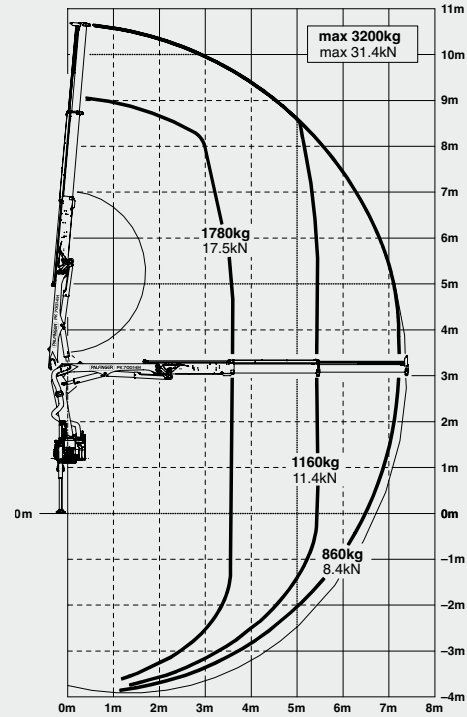


# PK 7001 EH HIGH PERFORMANCE

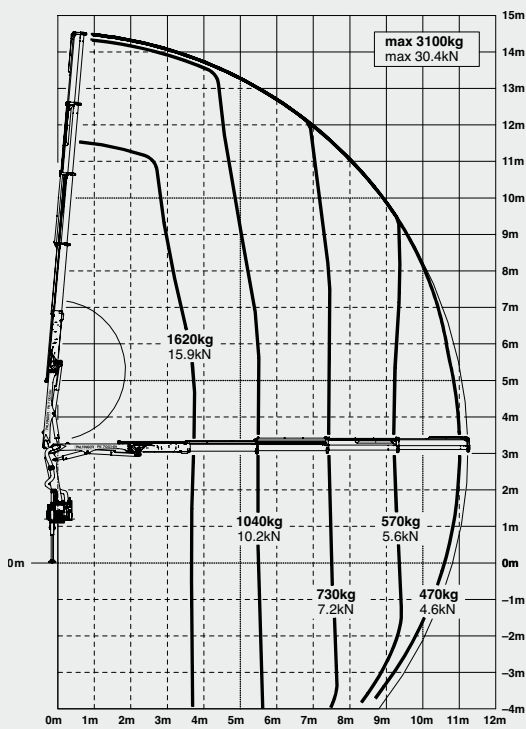
## STD



## A

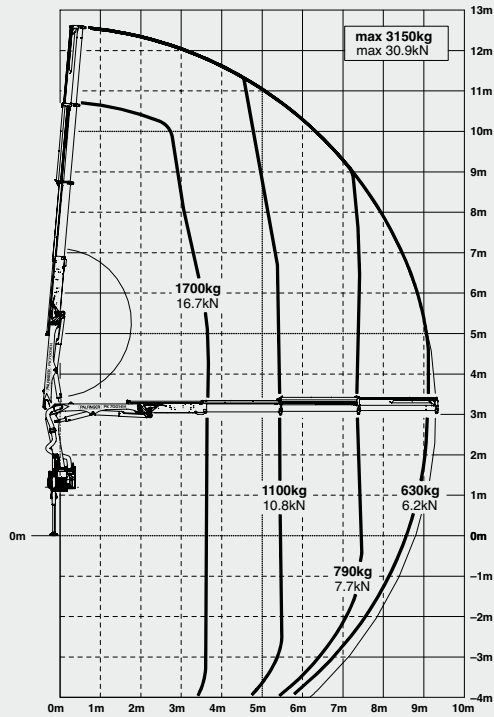


## C



# EXCELLENT FOR THE MUNICIPAL SECTOR

**B**



## LIFTING CAPACITIES

|             |        |                |                 |
|-------------|--------|----------------|-----------------|
| <b>max.</b> |        | <b>3300 kg</b> | <b>7270 lbs</b> |
| 3.5 m       | 11' 6" | 1880 kg        | 4150 lbs        |
| 5.3 m       | 17' 5" | 1240 kg        | 2750 lbs        |

**A**

|             |         |                |                 |
|-------------|---------|----------------|-----------------|
| <b>max.</b> |         | <b>3200 kg</b> | <b>7050 lbs</b> |
| 3.6 m       | 11' 10" | 1780 kg        | 3950 lbs        |
| 5.4 m       | 17' 9"  | 1160 kg        | 2600 lbs        |
| 7.2 m       | 23' 7"  | 860 kg         | 1900 lbs        |

**B**

|             |         |                |                 |
|-------------|---------|----------------|-----------------|
| <b>max.</b> |         | <b>3150 kg</b> | <b>6940 lbs</b> |
| 3.7 m       | 12' 2"  | 1700 kg        | 3750 lbs        |
| 5.5 m       | 18' 1"  | 1100 kg        | 2400 lbs        |
| 7.3 m       | 23' 11" | 790 kg         | 1740 lbs        |
| 9.2 m       | 30' 2"  | 630 kg         | 1380 lbs        |
| 11.2 m*     | 36' 9"  | 400 kg         | 880 lbs         |
| 12.8 m*     | 41' 12" | 220 kg         | 490 lbs         |

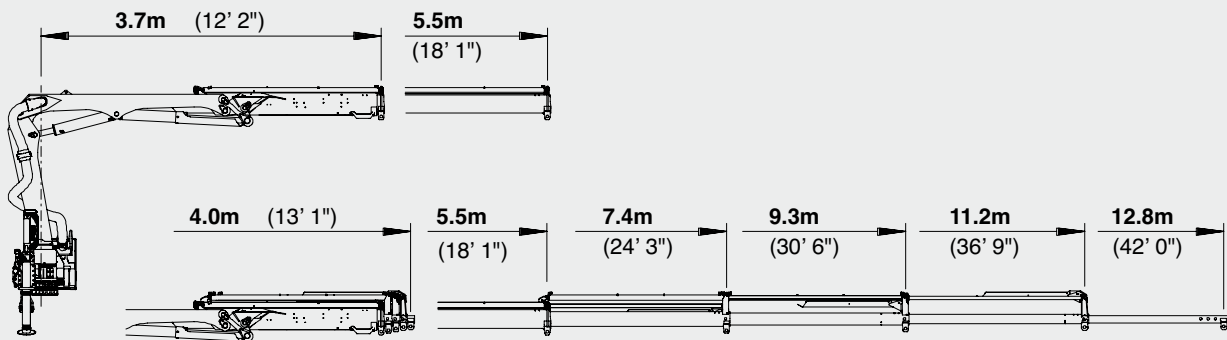
**C**

|             |        |                |                 |
|-------------|--------|----------------|-----------------|
| <b>max.</b> |        | <b>3100 kg</b> | <b>6830 lbs</b> |
| 3.8 m       | 12' 6" | 1620 kg        | 3550 lbs        |
| 5.6 m       | 18' 4" | 1040 kg        | 2250 lbs        |
| 7.4 m       | 24' 3" | 730 kg         | 1620 lbs        |
| 9.3 m       | 30' 6" | 570 kg         | 1260 lbs        |
| 11.1 m      | 36' 5" | 470 kg         | 1020 lbs        |
| 12.7 m*     | 41' 8" | 220 kg         | 490 lbs         |

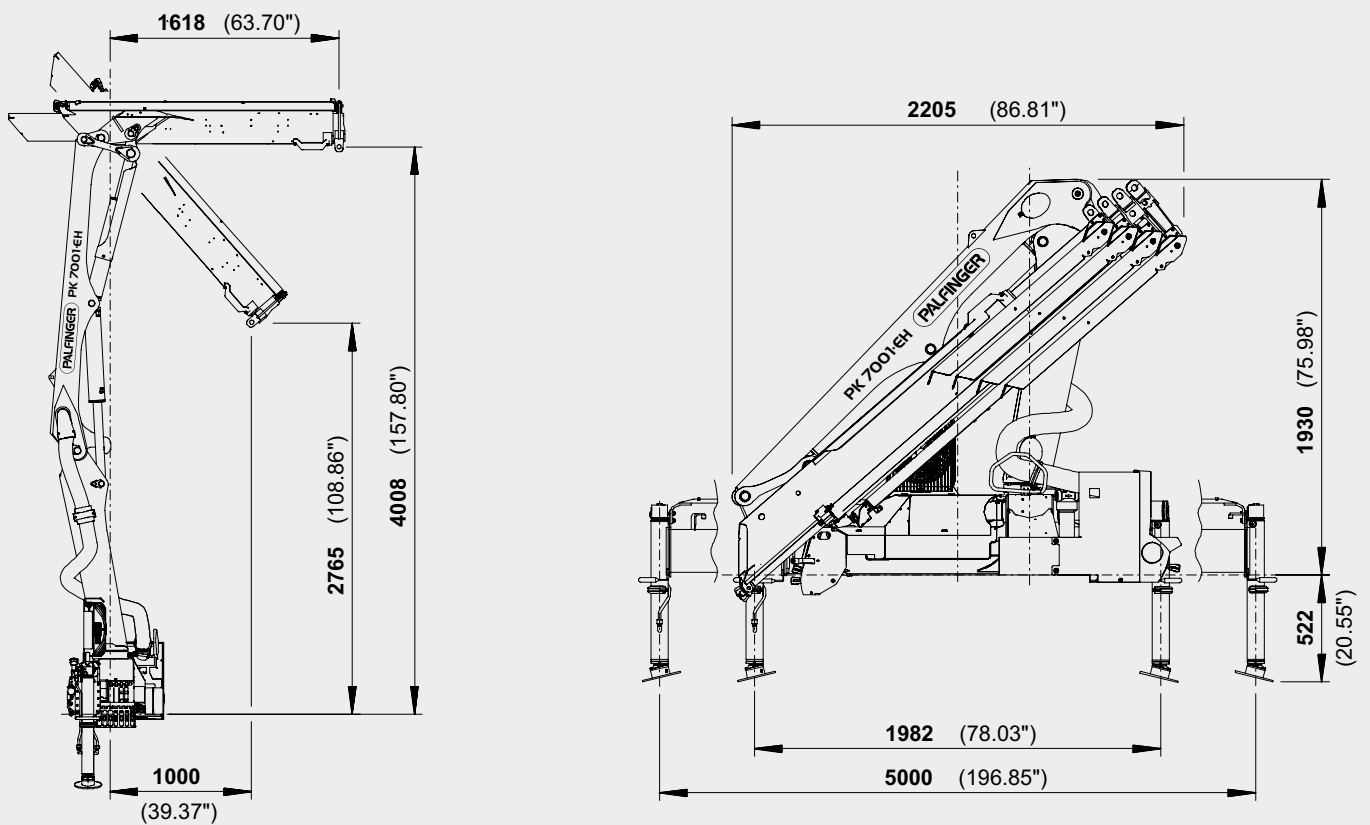
\*mechanical extension

# PERFECT DIMENSIONS

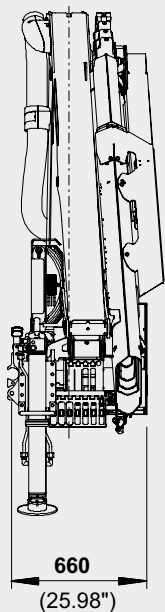
## EXTENSION BOOM VARIATIONS



## DIMENSIONS



## PK 7001 EH



## TECHNICAL SPECIFICATIONS (EN 12999 HC1 HD4/B3)

|                               |                              |                                     |
|-------------------------------|------------------------------|-------------------------------------|
| Max. lifting moment           | 6.6 mt/64.7 kNm              | 47750 ft.lbs                        |
| Max. lifting capacity         | 3300 kg/32.4 kN              | 7270 lbs                            |
| Max. hydraulic outreach       | 11.2 m                       | 36' 9"                              |
| Max. manual outreach          | 12.9 m                       | 42' 4"                              |
| Slewing angle                 | 400°                         |                                     |
| Slewing torque                | 0.8 mt/7.8 kNm               | 5790 ft.lbs                         |
| Stabiliser spread (std./max.) | 3.0 m / 5.0 m                | 9' 10" / 16' 5"                     |
| Fitting space required (std.) | 0.66 m                       | 2' 2"                               |
| Width folded                  | 2.20 m                       | 7' 3"                               |
| Max. operating pressure       | 350 bar                      | 5075 psi                            |
| Recommended pump capacity     | from 30 l/min<br>to 40 l/min | 7.9 US gal./min<br>10.6 US gal./min |
| Dead weight (std.)            | 779 kg                       | 1720 lbs                            |

## PACKAGE MODEL

- E-HPLS
- Paltronic 50
- Radio remote control with LED display
- Danfoss control valve or PVG2000
- 75 l oil tank

