

PK 11001 / 12001 EH

PALFINGER

LIFETIME EXCELLENCE

**EVEN UNDER RESTRICTED SPACES HPSC
OFFERS A MAXIMUM OF COMFORT AND
SAFETY**



LIFETIME EXCELLENCE

PALFINGER LOADER CRANES ARE OUTSTANDING WITH THEIR SUPERIOR LIFE-CYCLE PERFORMANCE. THEY ARE THE MOST ECONOMICAL AND ALSO THE MOST RELIABLE OVER THE ENTIRE PRODUCT LIFE. FROM SOLUTION FINDING TO RESALE.

BETTER
SOLUTIONS

BETTER
EFFICIENCY

BETTER
ERGONOMICS

HIGHER VALUE
RETENTION



HIGHER
AVAILABILITY

HIGHER
SERVICEABILITY

BETTER
ECOLOGY

MORE
RELIABILITY



RELIABLE AND VERSATILE





- More lifting power due to E-HPLS
- High value retention thanks to KTL coating
- Practical and attractive due to Functional Design
- Maximum reliability with PAL 50
- High payloads due to intelligent lightweight design



FIRST-RATE IN DESIGN AND PERFORMANCE

12 HIGHLIGHTS



KNUCKLE JOINT ON KNUCKLE BOOM
MORE POWER ON THE HOOK

The knuckle joint significantly improves the crane's motion geometry.



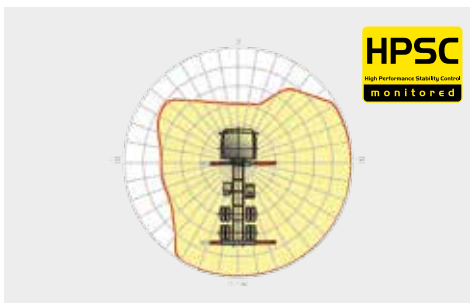
LOW-MAINTENANCE EXTENSION SYSTEM
REDUCES SERVICE TIME

With sliding elements made of synthetic material and the high-quality KTL coating, this boom system significantly simplifies service performed by the operator. This saves time and money – and protects the environment.



HIGH SPEED EXTENSION
FOR EFFICIENT ASSIGNMENTS

The High Speed Extension speeds up the extension boom system. Crane works faster and more efficiently.



HPSC
MAXIMUM UTILISATION OF THE WORKING RANGE

The variable stabiliser positioning of the High Performance Stability Control System makes it possible to utilise the lifting capacity to the maximum. It enables working within tight spaces.



PAL 50
COMFORT AND SAFETY

The PALTRONIC 50, PALFINGER offers the latest control electronics for the series production crane. The custom designed electronic operates and monitors the crane and offers more efficiency in use and safety.



CONTROL CONSOLE
ALL INFORMATION AT A GLANCE

All important information about the crane can be seen on the main control stand. A digital indicator counts and displays the operating hours. Ergonomic control levers and the optional lighting package provide increased safety and comfort even in poor visibility conditions.



KTL – CATHODIC DIP PAINTING
FOR RETAINING HIGH VALUE

The UV-resistant coating guarantees long-term surface protection. Perfect appearance during the entire lifetime for maximum resale value.



FUNCTIONAL DESIGN
PRACTICAL AND ATTRACTIVE

Robust plastic covers protect crane parts against dirt and damage. Better appearance and increased operational comfort – during the entire lifetime.



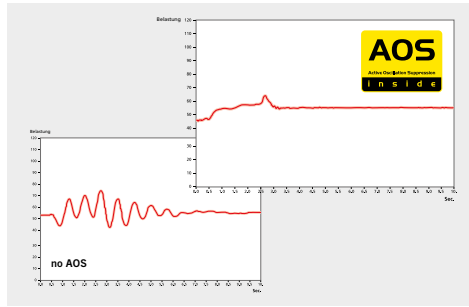
RADIO REMOTE CONTROL
DIALOGUE WITH THE OPERATOR

PALFINGER radio remote controls are equipped with linear lever or cross lever and provide the greatest possible comfort for the operator. All EH models with LED-Display inform the crane operator about the different operating conditions.



HOSE EQUIPMENT FOR ATTACHMENTS
VERSATILE AND USER-FRIENDLY

The hose equipment offers an easy means of connecting auxiliary equipment. The hose equipment is guided in hose trays for protection.



AOS
MAXIMUM PRECISION AND SAFETY

The active oscillation suppression system prevents "post-oscillation" in the event of rapid braking or load changes. The stress peaks on the extension boom system are reduced and material fatigue and wear are minimised. This increases the resale value.



LIGHTING PACKAGE*
MORE CRANE SAFETY PARTICULARLY AT DUSK AND DARK

LEDs which backlight the control panel make it easier to read off the crane functions and provide the crane operator with a quick overview of the entire panel during the working process. LED warning lights in the supporting cylinders mean greater safety for crane operator and passers-by.

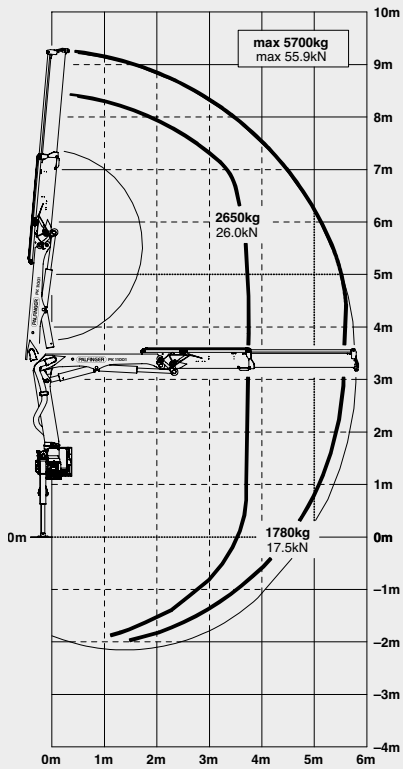


* Optional features / country-specific equipment

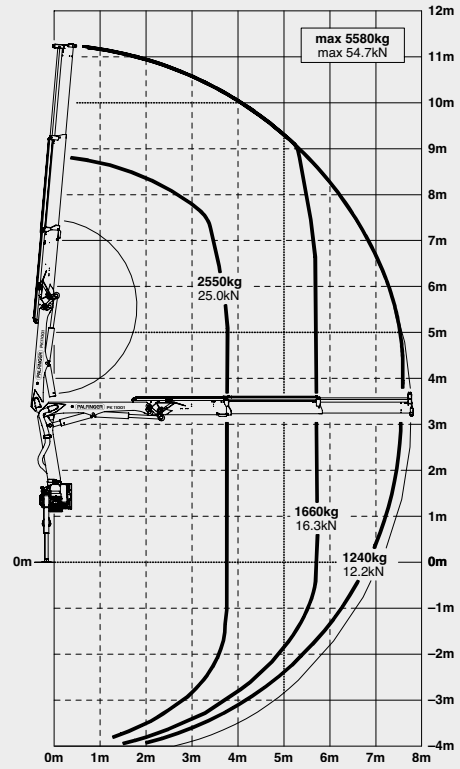
PK 11001

HIGH PERFORMANCE

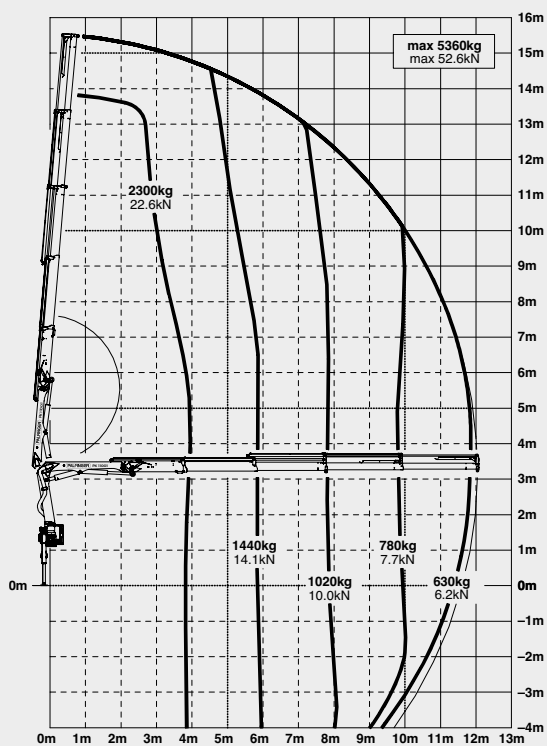
STD



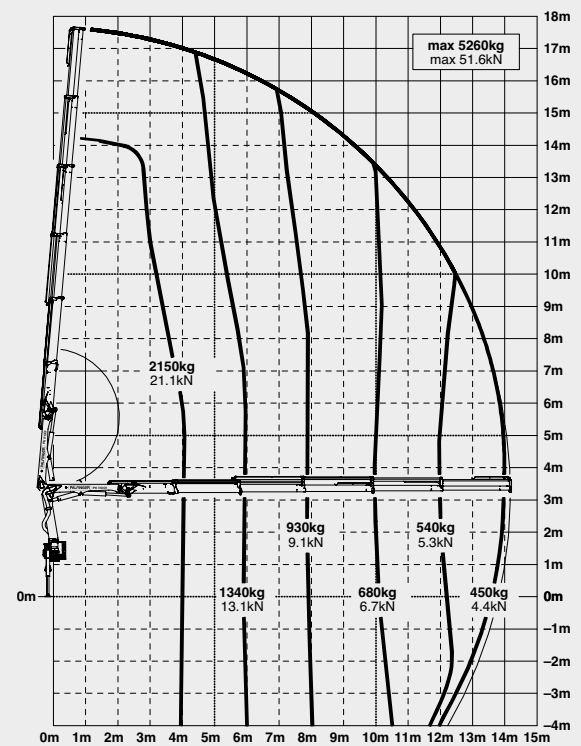
A



C

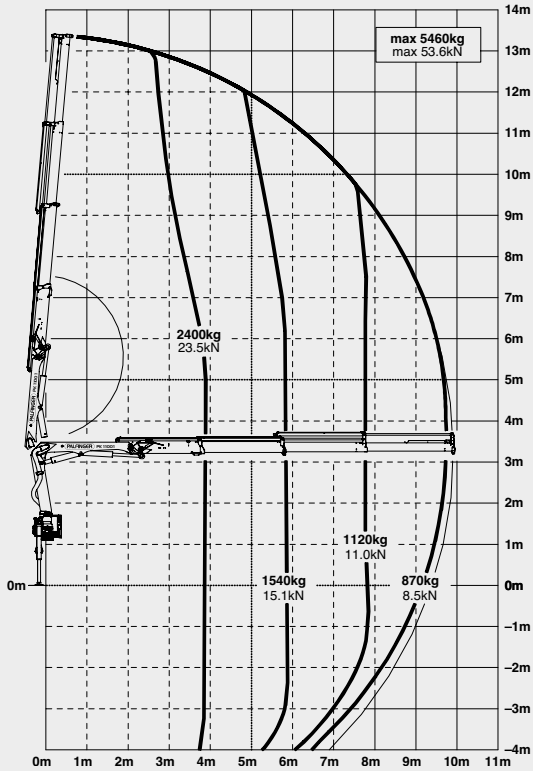


D



ABILITY TO WORK EFFICIENTLY AT THE HIGHEST LEVEL

B



LIFTING CAPACITIES

STD	max.		5700 kg	12570 lbs
	3.7 m	12' 2"	2650 kg	5840 lbs
	5.6 m	18' 4"	1780 kg	3920 lbs

A	max.		5580 kg	12300 lbs
	3.8 m	12' 6"	2550 kg	5620 lbs
	5.7 m	18' 8"	1660 kg	3660 lbs
	7.6 m	24' 11"	1240 kg	2730 lbs

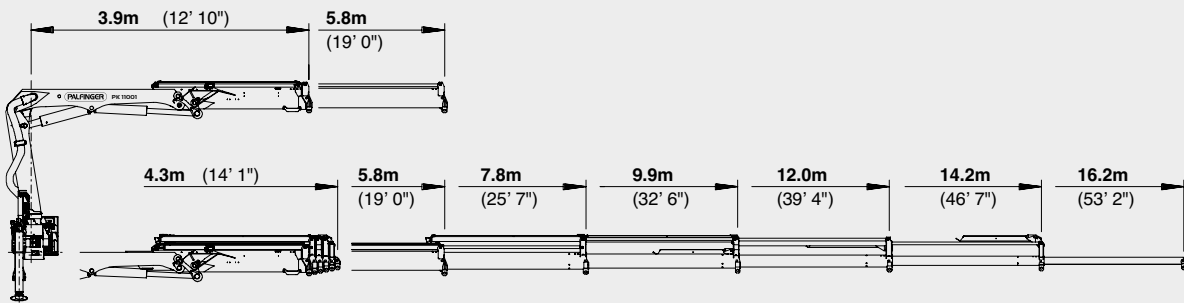
B	max.		5460 kg	12040 lbs
	3.9 m	12' 10"	2450 kg	5290 lbs
	5.8 m	19' 0"	1540 kg	3400 lbs
	7.7 m	25' 3"	1120 kg	2470 lbs
	9.7 m	31' 10"	870 kg	1920 lbs
	11.9 m*	39' 1"	680 kg	1500 lbs
	13.9 m*	45' 7"	550 kg	1210 lbs

C	max.		5360 kg	11820 lbs
	4.0 m	13' 1"	2300 kg	5070 lbs
	5.9 m	19' 4"	1440 kg	3170 lbs
	7.8 m	25' 7"	1020 kg	2250 lbs
	9.8 m	32' 2"	780 kg	1720 lbs
	11.8 m	38' 9"	640 kg	1410 lbs
	13.8 m*	45' 3"	510 kg	1120 lbs
	15.8 m*	51' 10"	380 kg	840 lbs

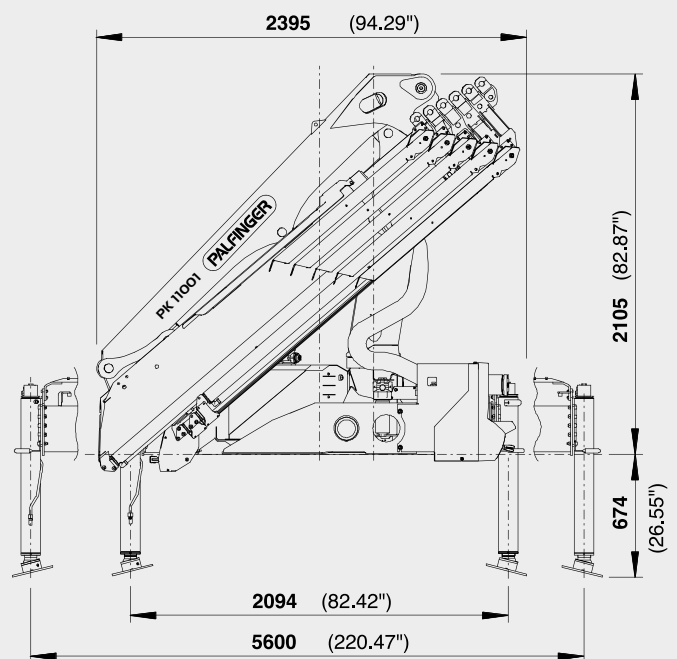
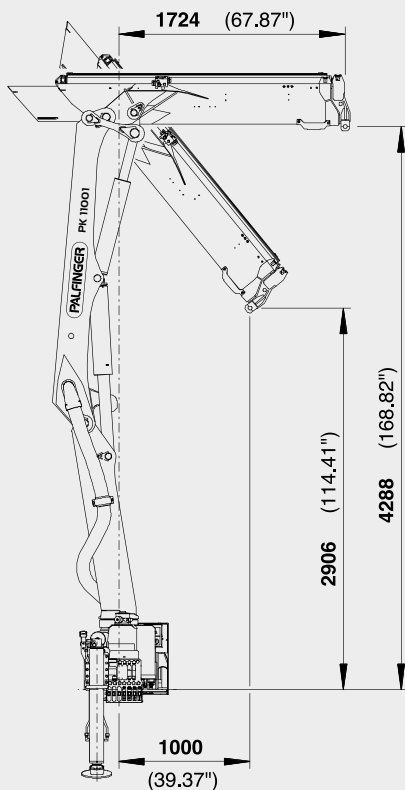
D	max.		5260 kg	11600 lbs
	4.1 m	13' 1"	2150 kg	4740 lbs
	5.9 m	19' 4"	1340 kg	2950 lbs
	7.9 m	25' 7"	930 kg	2050 lbs
	9.9 m	32' 6"	680 kg	1500 lbs
	11.9 m	39' 1"	540 kg	1190 lbs
	13.9 m	45' 7"	450 kg	990 lbs
	15.9 m*	52' 6"	370 kg	820 lbs

PERFECT DIMENSIONS

EXTENSION BOOM VARIATIONS



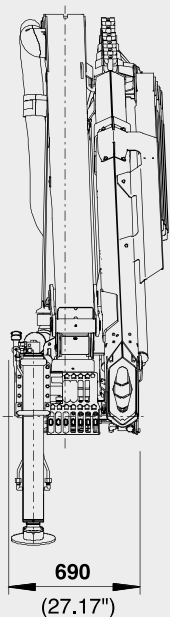
DIMENSIONS



PK 11001

TECHNICAL SPECIFICATIONS (EN 12999 HC1 HD4/B3)

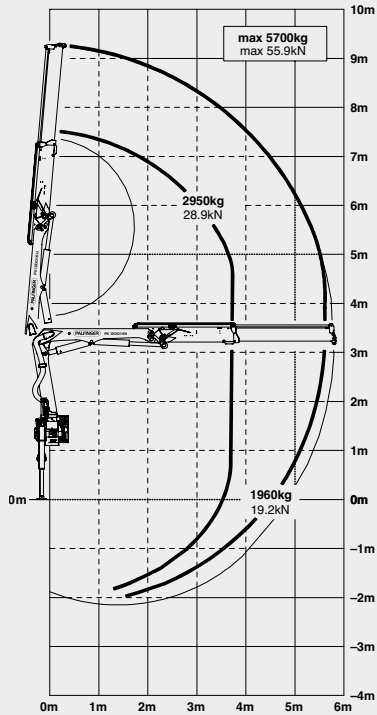
max. lifting moment	10.0 mt/98.1 kNm	72350 ft.lbs
max. lifting capacity	5700 kg/55.9 kN	12570 lbs
max. hydraulic outreach	14.2 m	46' 7"
max. manual outreach	16.2 m	53' 2"
Slewing angle	400°	
Slewing torque	1.3 mt/12.7 kNm	9400 ft.lbs
Stabilizer spread (std./max.)	3.2 m / 5.6 m	10' 6" / 18' 4"
Fitting space required (std.)	0.69 m	2' 3"
Width folded	2.40 m	7' 10"
max. operating pressure	320 bar	4640 psi
Recommended pump capacity	from 30 l/min to 45 l/min	7.9 US gal./min 11.9 US gal./min
Dead weight (std.)	1115 kg	2460 lbs



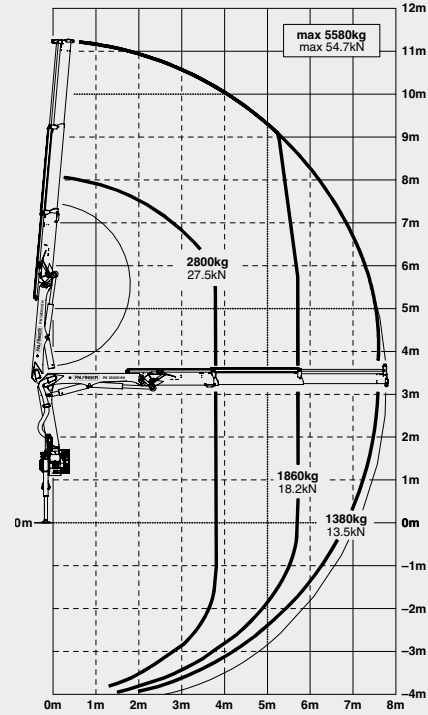
PK 12001 EH

HIGH PERFORMANCE

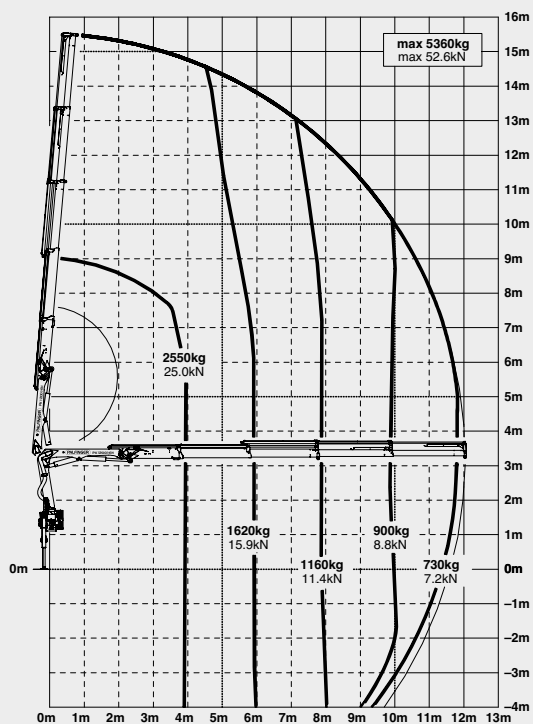
STD



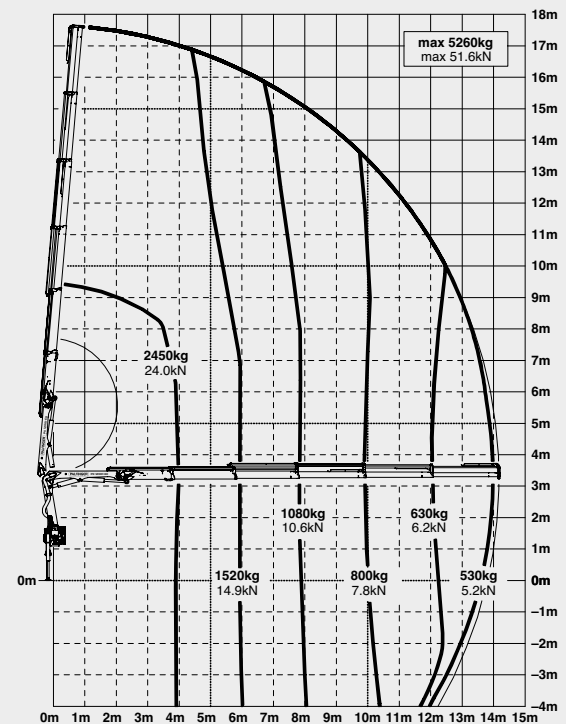
A



C

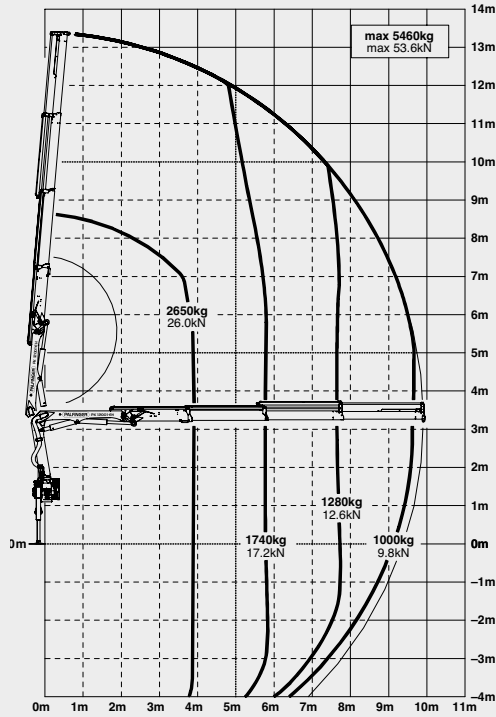


D



PERFECT PARTNERS IN THE TRANSPORT BUSINESS

B



LIFTING CAPACITIES

STD	max.	5700 kg	12570 lbs
3.7 m	12' 2"	2950 kg	6500 lbs
5.6 m	18' 4"	1960 kg	4320 lbs

A	max.	5580 kg	12300 lbs
3.8 m	12' 6"	2800 kg	6170 lbs
5.7 m	18' 8"	1860 kg	4100 lbs
7.6 m	24' 11"	1380 kg	3040 lbs

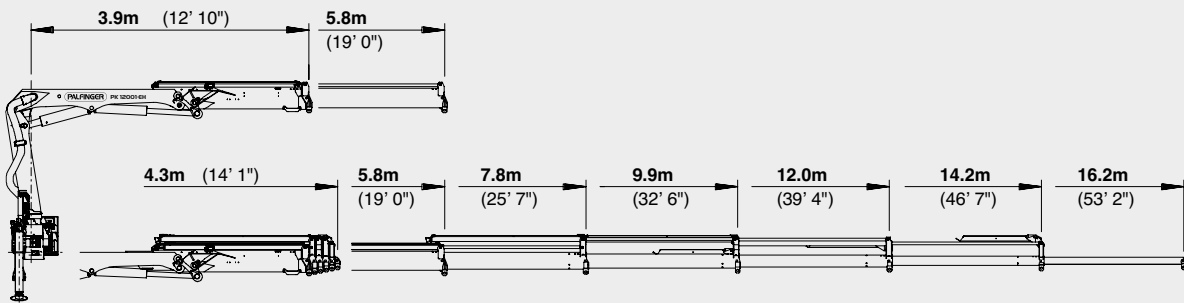
B	max.	5460 kg	12040 lbs
3.9 m	12' 10"	2650 kg	5840 lbs
5.8 m	19' 0"	1740 kg	3840 lbs
7.7 m	25' 3"	1280 kg	2820 lbs
9.7 m	31' 10"	1000 kg	2200 lbs
11.9 m*	39' 1"	770 kg	1700 lbs
13.9 m*	45' 7"	630 kg	1390 lbs

C	max.	5360 kg	11820 lbs
4.0 m	13' 1"	2550 kg	5620 lbs
5.9 m	19' 4"	1620 kg	3570 lbs
7.8 m	25' 7"	1160 kg	2560 lbs
9.8 m	32' 2"	900 kg	1980 lbs
11.8 m	38' 9"	730 kg	1610 lbs
13.8 m*	45' 3"	600 kg	1320 lbs
15.8 m*	51' 10"	380 kg	840 lbs

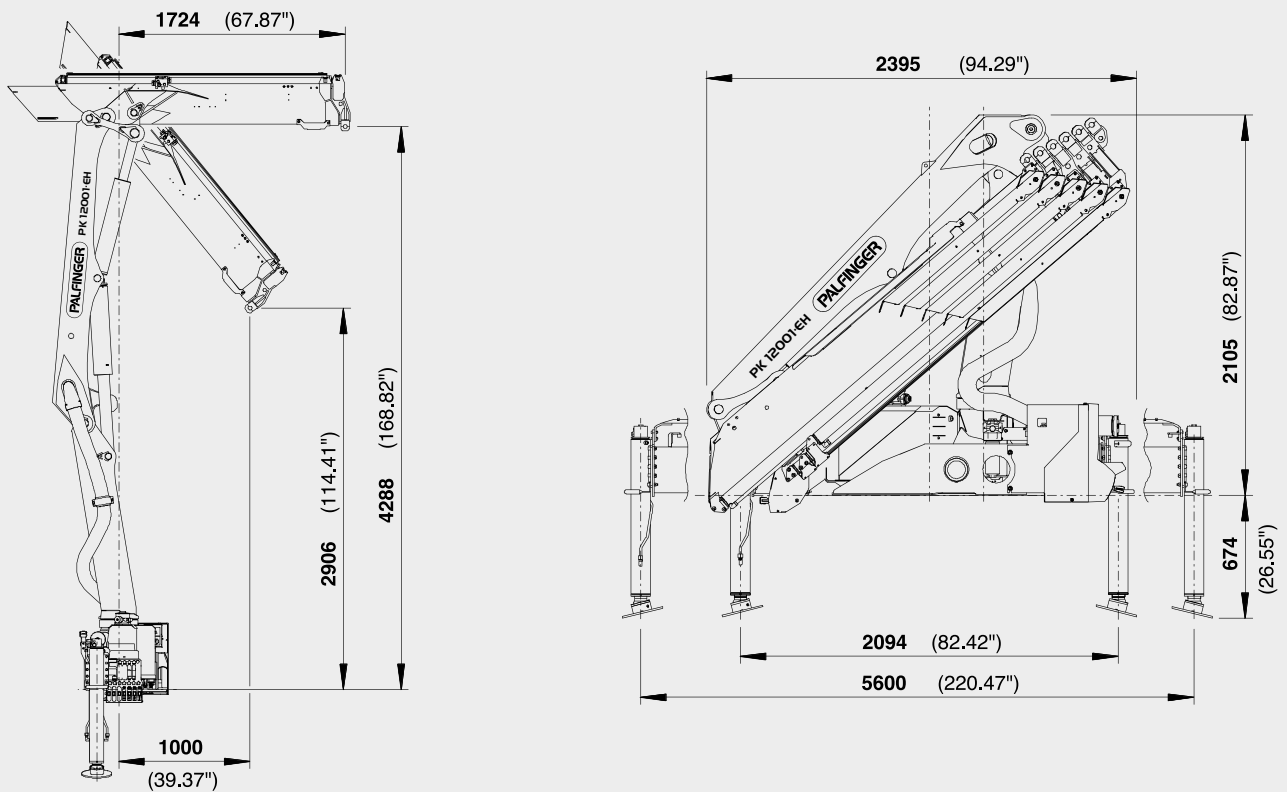
D	max.	5260 kg	11600 lbs
4.1 m	13' 5"	2450 kg	5400 lbs
5.9 m	19' 4"	1520 kg	3350 lbs
7.9 m	25' 11"	1080 kg	2380 lbs
9.9 m	32' 6"	800 kg	1760 lbs
11.9 m	39' 1"	630 kg	1390 lbs
13.9 m	45' 7"	530 kg	1170 lbs
15.9 m*	52' 2"	380 kg	840 lbs

PERFECT DIMENSIONS

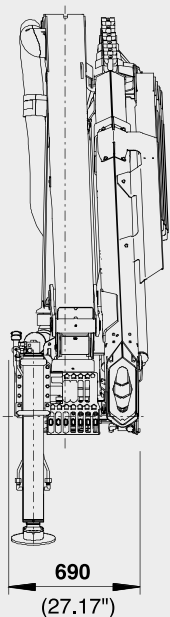
EXTENSION BOOM VARIATIONS



DIMENSIONS



PK 12001 EH



TECHNICAL SPECIFICATIONS (EN 12999 HC1 HD4/B3)

max. lifting moment	11.1 mt/108.9 kNm	80310 ft.lbs
max. lifting capacity	5700 kg/55.9 kN	12570 lbs
max. hydraulic outreach	14.2 m	46' 7"
max. manual outreach	16.2 m	53' 2"
Slewing angle	400°	
Slewing torque	1.3 mt/12.7 kNm	9400 ft.lbs
Stabilizer spread (std./max.)	3.2 m / 5.6 m	10' 6" / 18' 4"
Fitting space required (std.)	0.69 m	2' 3"
Width folded	2.40 m	7' 10"
max. operating pressure	350 bar	5075 psi
Recommended pump capacity	from 45 l/min to 60 l/min	11.9 US gal./min 15.9 US gal./min
Dead weight (std.)	1140 kg	2510 lbs

PACKAGE MODEL

- E-HPLS
- Paltronic 50
- Radio remote control with LED display
- Danfoss control valve or PVG2000
- 8.5 kW oil cooler
- 100 l oil tank



Cranes shown in the leaflet are partially optional equipped and do not always correspond to the standard version. Country-specific regulations must be observed. Dimensions may vary. Subject to technical changes, errors and translation mistakes.