

PK 12000

Performance

PALFINGER



THE PERFECT PARTNER FOR HANDLING
BUILDING MATERIALS



IT PROVES ITS RELIABILITY IN CONTINUOUS DUTY ON CONSTRUCTION SITES

When bricks or concrete parts have to be unloaded and placed precisely on the construction site – the PK 12000 *Performance* has the right credentials for the job. Easy maintenance, quality and reliability are the result of decades of research and development work by PALFINGER. This makes it your reliable partner.



THOUGHTFULLY DESIGNED TECHNICAL DETAILS MAKE FOR EFFICIENT WORKING

Internally routed oil ducts

On the multiple extensions there are no hydraulic hoses between the cylinders. The internally routed oil passages make it possible to have a compact boom design.



Return oil use

By using of the return oil flow in the extension system, the operating speed is increased by 30 per cent.



Extension system

The extension cylinders are guided in Jordal rails over rollers.



Height compensation

Outrigger widths

The PK 12000 *Performance* fits to all normal truck chassis designs. Three outrigger widths are possible: 4.6 m (15' 1") mechanical, 5.6 m (18' 4") respectively 6.6 m (21' 8") hydraulic.



Optional

- The PALFINGER radio remote control system with digital data transmission
- The PALTRONIC 50 electronic control system
- The hydraulic overload safety device
- Hose equipment for accessories



A REAL PALFINGER, INCORPORATING DECADES OF PRACTICAL EXPERIENCE!



Load-holding valves

They prevent the crane boom from dropping and are fitted as standard on both lifting and extension cylinders. The valves are positioned in such a way that they are protected from accidental damaged.

Control valve

It functions proportionally, is ergonomically arranged and the low leverage force permits very sensitive crane control.

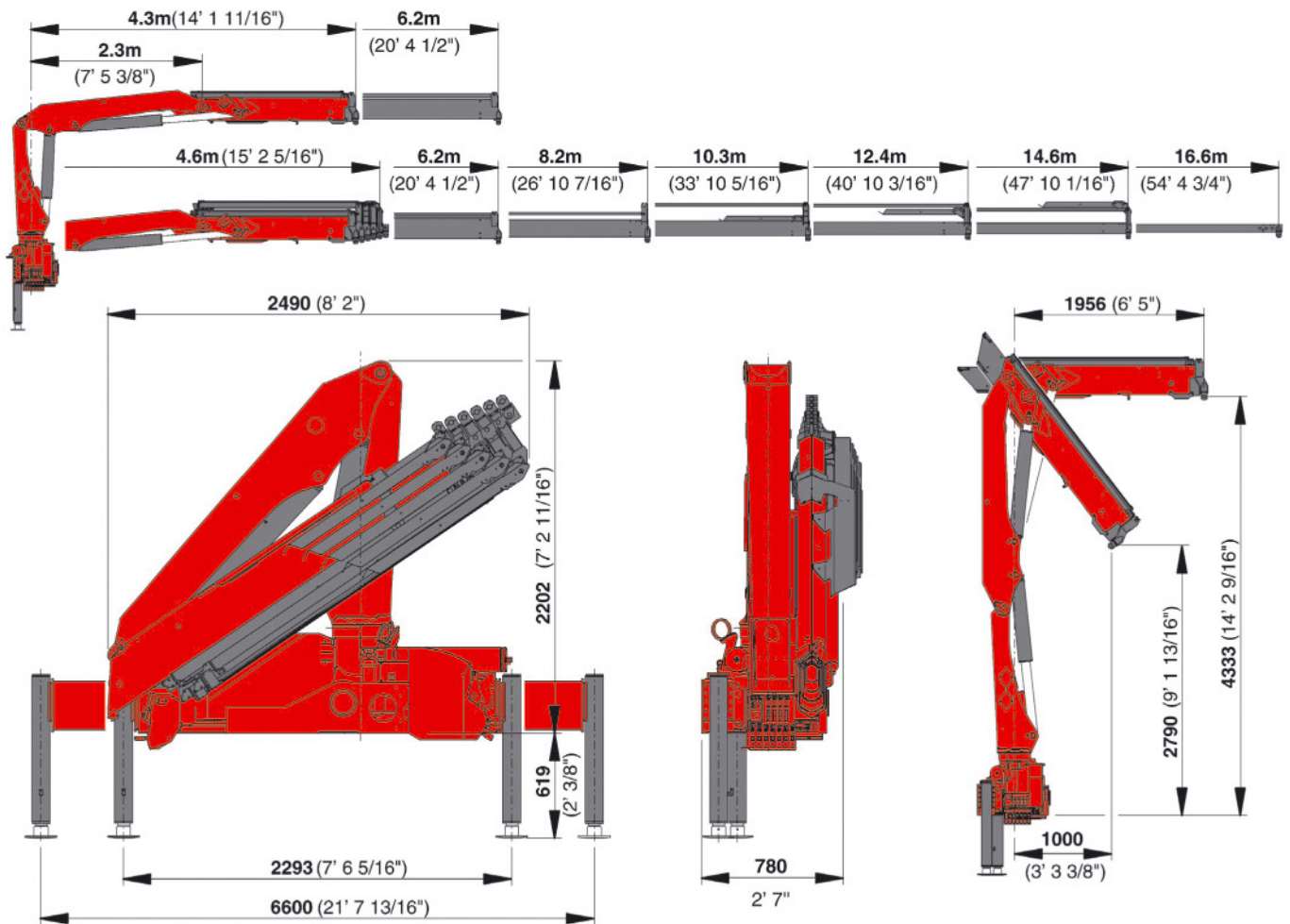
Central lubrication

for all bearings on the base frame.

Ergonomic crane control

The operating levers for all crane functions are ergonomically arranged on the control console. This provides comfortable, efficient working. The control console is positioned so that it is easy to service.

WELL SUPPORTED BY MORE THAN 1400 PALFINGER CONTRACT PARTNERS WORLDWIDE



PK 12000 Performance		
Technical specifications (DIN 15018 H1-B3)		
Max. lifting moment	11.6 mt/113.8 kNm	83900 ft.lbs
Max. lifting capacity	6790 kg/66.6 kN	14970 lbs
Max. hydraulic outreach	14.6 m	47' 11"
Maximum outreach	16.6 m	54' 6"
Slewing angle	420°	

PK 12000 Performance		
Standard crane		
Slewing torque	1.4 mt/13.7 kNm	10100 ft.lbs
Stabilizer spread standard	4.6 m	15' 1"
Stabilizer spread maximum	6.6 m	21' 8"
Fitting space required	0.78 m	2' 7"
Width folded	2.5 m	8' 2"
Operating pressure	330 bar	4350 psi
Recommended pump capacity	from 35 l/min.	7.7 imp.gal./min. 9.2 US gal./min
by radio remote control and LS-System	to 50 l/min.	11.0 imp.gal./min. 13.2 US gal./min
Dead weight (without mounting parts, pump and oil)	1380 kg	3040 lbs

Executions shown in the leaflet are not always corresponding to standard execution. Country-specific regulations are to be observed upon attachment.



We reserve the right to change design and specification without prior notice.

www.palfinger.com

05/01

THE PK 12000 PERFORMANCE ALREADY MEETS THE REQUIREMENTS OF THE FUTURE EN 12999 CRANE STANDARD

Max. lifting capacities

PK 12000 Performance			
hydraulic			
Outreach		Capacity	
1.8 m	6790 kg	5' 11"	14970 lbs
4.5 m	2590 kg	14' 9"	5710 lbs
6.1 m	1910 kg	20' 0"	4210 lbs

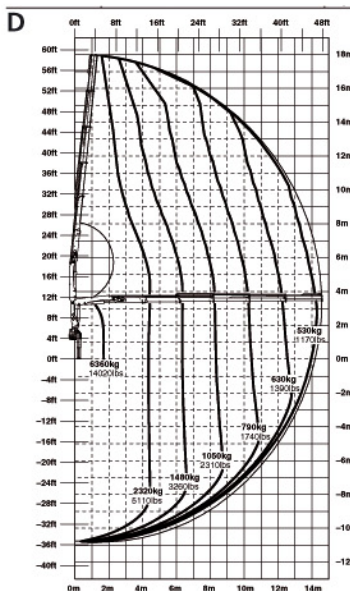
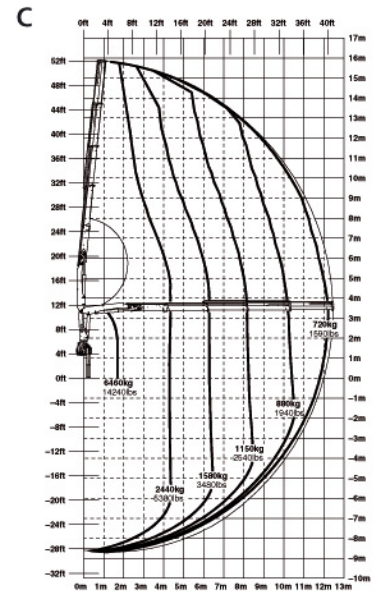
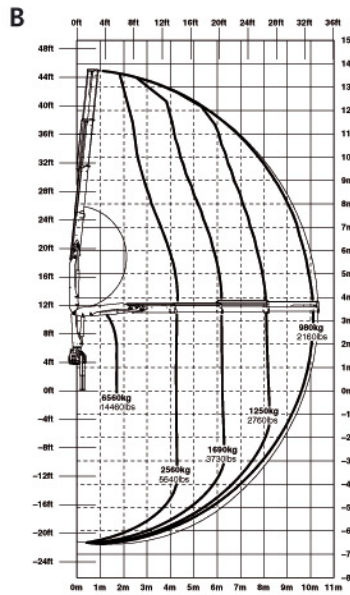
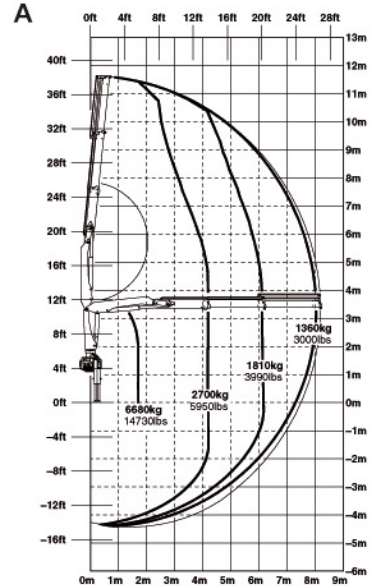
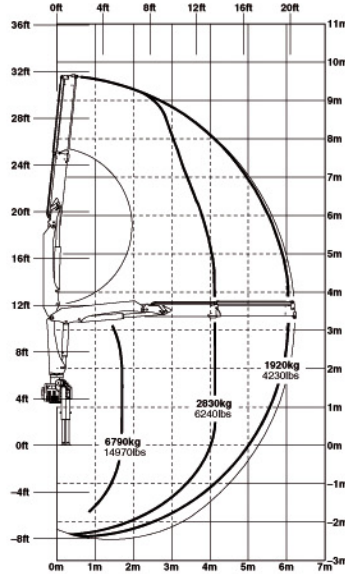
PK 12000 Performance A			
hydraulic			
Outreach		Capacity	
1.8 m	6680 kg	5' 11"	14730 lbs
4.5 m	2510 kg	14' 9"	5530 lbs
6.1 m	1820 kg	20' 0"	4010 lbs
8.1 m	1360 kg	26' 7"	3000 lbs

PK 12000 Performance B			
hydraulic			
Outreach		Capacity	
1.8 m	6560 kg	5' 11"	14460 lbs
4.5 m	2420 kg	14' 9"	5340 lbs
6.1 m	1720 kg	20' 0"	3790 lbs
8.1 m	1260 kg	26' 7"	2780 lbs
10.2 m	980 kg	33' 6"	2160 lbs
manual			
12.3 m	560 kg	40' 4"	1230 lbs
14.3 m	440 kg	46' 11"	970 lbs
16.3 m	350 kg	53' 6"	770 lbs

PK 12000 Performance C			
hydraulic			
Outreach		Capacity	
1.8 m	6460 kg	5' 11"	14240 lbs
4.5 m	2350 kg	14' 9"	5180 lbs
6.1 m	1640 kg	20' 0"	3620 lbs
8.1 m	1170 kg	26' 7"	2580 lbs
10.2 m	890 kg	33' 6"	1960 lbs
12.2 m	720 kg	40' 0"	1590 lbs
manual			
14.3 m	400 kg	46' 11"	880 lbs
16.3 m	320 kg	53' 6"	710 lbs

PK 12000 Performance D			
hydraulic			
Outreach		Capacity	
1.8 m	6360 kg	5' 11"	14020 lbs
4.5 m	2280 kg	14' 9"	5030 lbs
6.1 m	1570 kg	20' 0"	3460 lbs
8.1 m	1090 kg	26' 7"	2400 lbs
10.2 m	800 kg	33' 6"	1760 lbs
12.2 m	640 kg	40' 0"	1410 lbs
14.3 m	530 kg	46' 11"	1170 lbs
manual			
16.5 m	270 kg	54' 2"	600 lbs

PK 12000 Performance



The reaches are indicated for a 20° main boom position and are therefore not the maximum ones.