

PK 13002 / 14002 EH

PALFINGER

LIFETIME EXCELLENCE

**RELIABLE AND VERSATILE – PERFECT
PARTNER IN THE MUNICIPAL ECONOMY**



LIFETIME EXCELLENCE

PALFINGER LOADER CRANES ARE OUTSTANDING WITH THEIR SUPERIOR LIFE-CYCLE PERFORMANCE. THEY ARE THE MOST ECONOMICAL AND ALSO THE MOST RELIABLE OVER THE ENTIRE PRODUCT LIFE. FROM SOLUTION FINDING TO RESALE.

BETTER
SOLUTIONS

BETTER
EFFICIENCY

BETTER
ERGONOMICS

HIGHER VALUE
RETENTION



HIGHER
AVAILABILITY

HIGHER
SERVICEABILITY

BETTER
ECOLOGY

MORE
RELIABILITY



POWER LINK PLUS. FLEXIBILITY AT IT'S BEST.





- Higher payloads due to intelligent lightweight design
- Perfect appearance and the highest value retention due to KTL
- Maximum utilisation of the working range due to HPSC
- Increase in application due to hose assembly
- More lifting power due to E-HPLS



FIRST-RATE IN DESIGN AND PERFORMANCE

12

HIGHLIGHTS



POWER LINK PLUS
HIGH VARIETY OF USES

With the 15-degree reverse linkage system, you can reach through low door openings and also work inside buildings. Heavy crane work – even in difficult conditions.



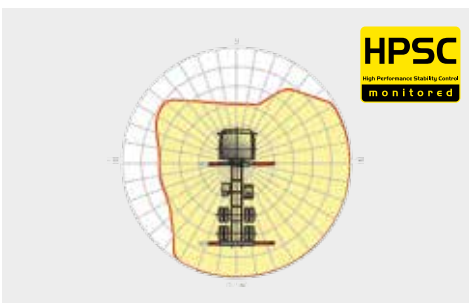
LOW-MAINTENANCE EXTENSION SYSTEM
REDUCES SERVICE TIME

With sliding elements made of synthetic material and the high-quality KTL coating, this boom system significantly simplifies service performed by the operator. This saves time and money – and protects the environment.



HIGH SPEED EXTENSION
FOR EFFICIENT ASSIGNMENTS

The High Speed Extension speeds up the extension boom system. Crane works faster and more efficiently.



HPSC
MAXIMUM UTILISATION OF THE WORKING RANGE

The variable stabiliser positioning of the High Performance Stability Control System makes it possible to utilise the lifting capacity to the maximum. It enables working within tight spaces.



PAL 50
COMFORT AND SAFETY

The PALTRONIC 50, PALFINGER offers the latest control electronics for the series production crane. The custom designed electronic operates and monitors the crane and offers more efficiency in use and safety.



CONTROL CONSOLE
ALL INFORMATION AT A GLANCE

All important information about the crane can be seen on the main control stand. A digital indicator counts and displays the operating hours. Ergonomic control levers and the optional lighting package provide increased safety and comfort even in poor visibility conditions.



KTL – CATHODIC DIP PAINTING
FOR RETAINING HIGH VALUE

The UV-resistant coating guarantees long-term surface protection. Perfect appearance during the entire lifetime for maximum resale value.



FUNCTIONAL DESIGN
PRACTICAL AND ATTRACTIVE

Robust plastic covers protect crane parts against dirt and damage. Better appearance and increased operational comfort – during the entire lifetime.



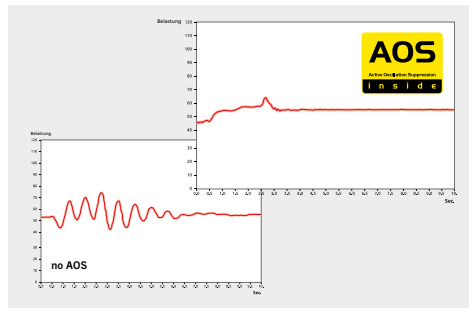
RADIO REMOTE CONTROL
DIALOGUE WITH THE OPERATOR

PALFINGER radio remote controls are equipped with linear lever or cross lever and provide the greatest possible comfort for the operator. All EH models with LED-Display inform the crane operator



HOSE EQUIPMENT FOR ATTACHMENTS
VERSATILE AND USER-FRIENDLY

The hose equipment offers an easy means of connecting auxiliary equipment. The hose equipment is guided in hose trays for protection.



AOS
MAXIMUM PRECISION AND SAFETY

The active oscillation suppression system prevents "post-oscillation" in the event of rapid braking or load changes. The stress peaks on the extension boom system are reduced and material fatigue and wear are minimised. This increases the resale value.



LIGHTING PACKAGE*
MORE CRANE SAFETY PARTICULARLY AT DUSK AND DARK

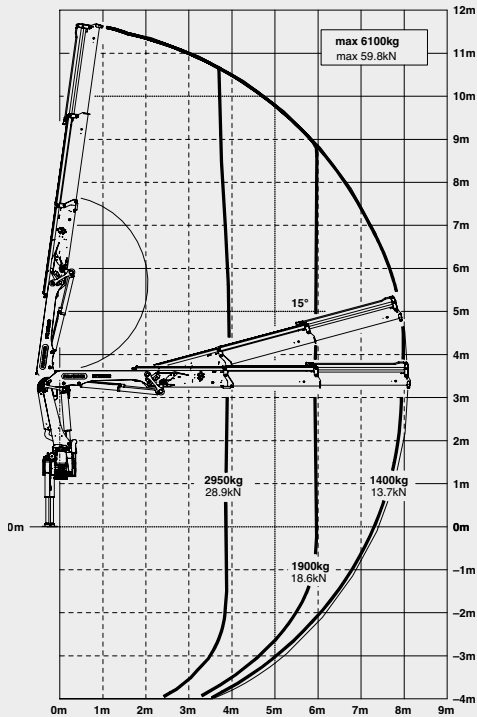
LEDs which backlight the control panel make it easier to read off the crane functions and provide the crane operator with a quick overview of the entire panel during the working process. LED warning lights in the supporting cylinders mean greater safety for crane operator and passers-by.



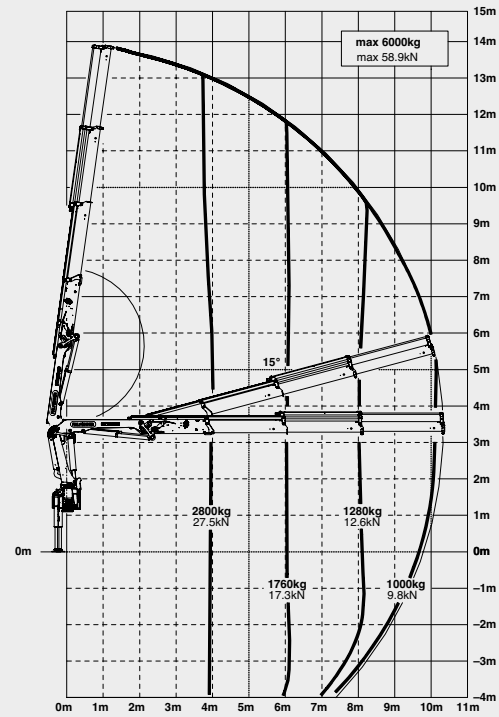
* Optional features / country-specific equipment

PK 13002 HIGH PERFORMANCE

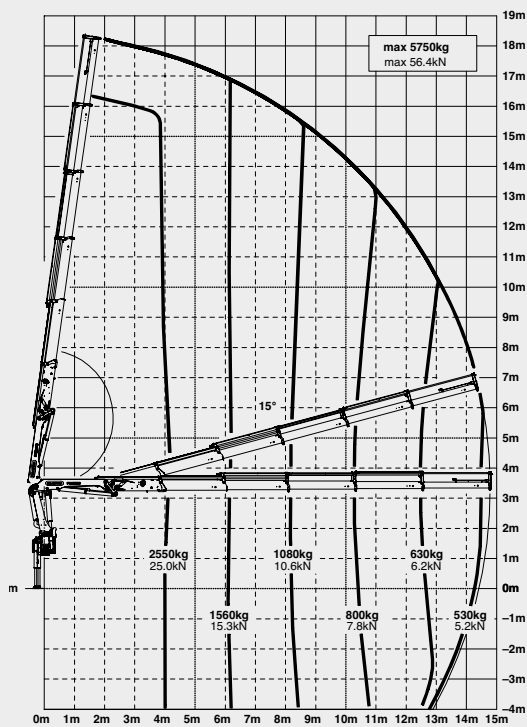
A



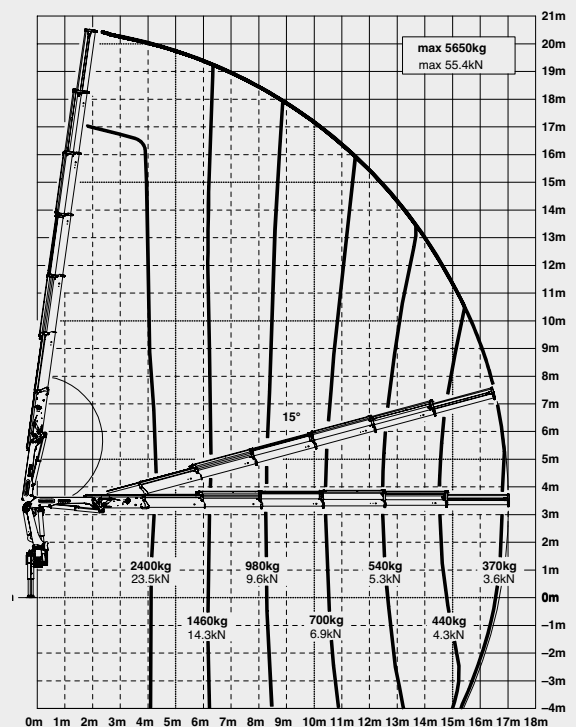
B



D

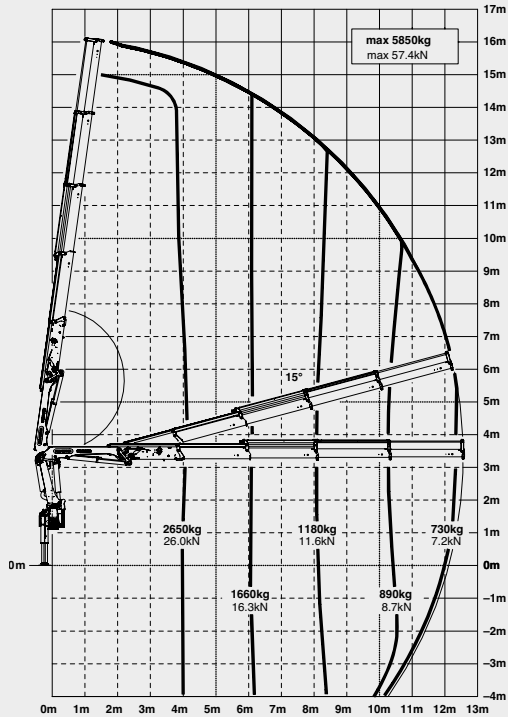


E



OUTSTANDING POWER TO WEIGHT RATIO

C



LIFTING CAPACITIES

A		max.	6100 kg	13440 lbs
3.9 m	12' 10"	2950 kg	6500 lbs	
5.9 m	19' 4"	1900 kg	4200 lbs	
7.9 m	25' 11"	1400 kg	3100 lbs	

B		max.	6000 kg	13200 lbs
4.0 m	13' 1"	2800 kg	6100 lbs	
6.0 m	19' 8"	1760 kg	3900 lbs	
8.0 m	26' 3"	1280 kg	2850 lbs	
10.1 m	33' 2"	1000 kg	2200 lbs	
12.4 m*	40' 8"	740 kg	1630 lbs	
14.6 m*	47' 11"	570 kg	1260 lbs	

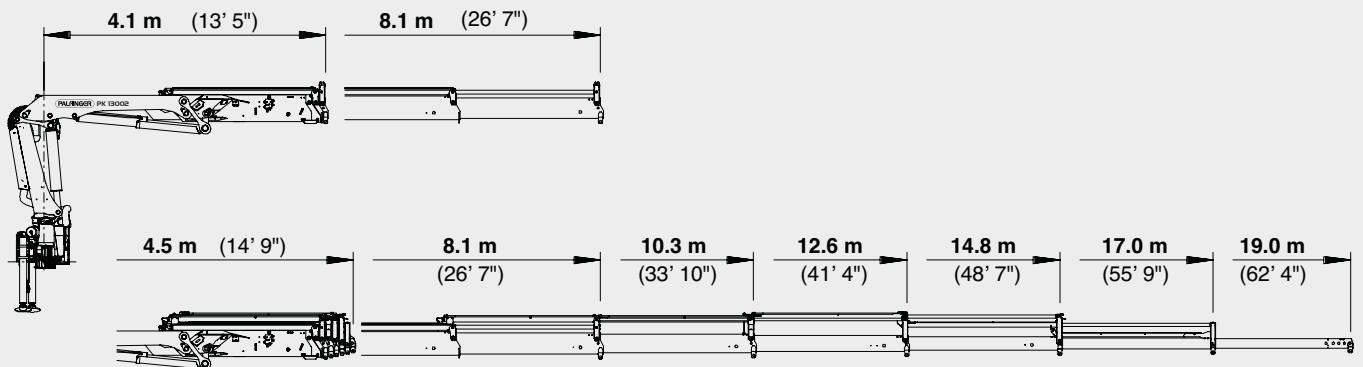
C		max.	5850 kg	12890 lbs
4.1 m	13' 5"	2650 kg	5900 lbs	
6.1 m	20' 0"	1660 kg	3650 lbs	
8.1 m	26' 7"	1180 kg	2600 lbs	
10.2 m	33' 6"	890 kg	1960 lbs	
12.4 m	40' 8"	730 kg	1600 lbs	
14.6 m*	47' 11"	560 kg	1240 lbs	
16.8 m*	55' 1"	440 kg	970 lbs	

D		max.	5750 kg	12670 lbs
4.2 m	13' 9"	2550 kg	5600 lbs	
6.2 m	20' 4"	1560 kg	3450 lbs	
8.2 m	26' 11"	1080 kg	2400 lbs	
10.3 m	33' 10"	800 kg	1760 lbs	
12.5 m	41' 0"	630 kg	1400 lbs	
14.6 m	47' 11"	530 kg	1160 lbs	
16.8 m*	55' 1"	410 kg	900 lbs	
18.8 m*	61' 8"	340 kg	750 lbs	

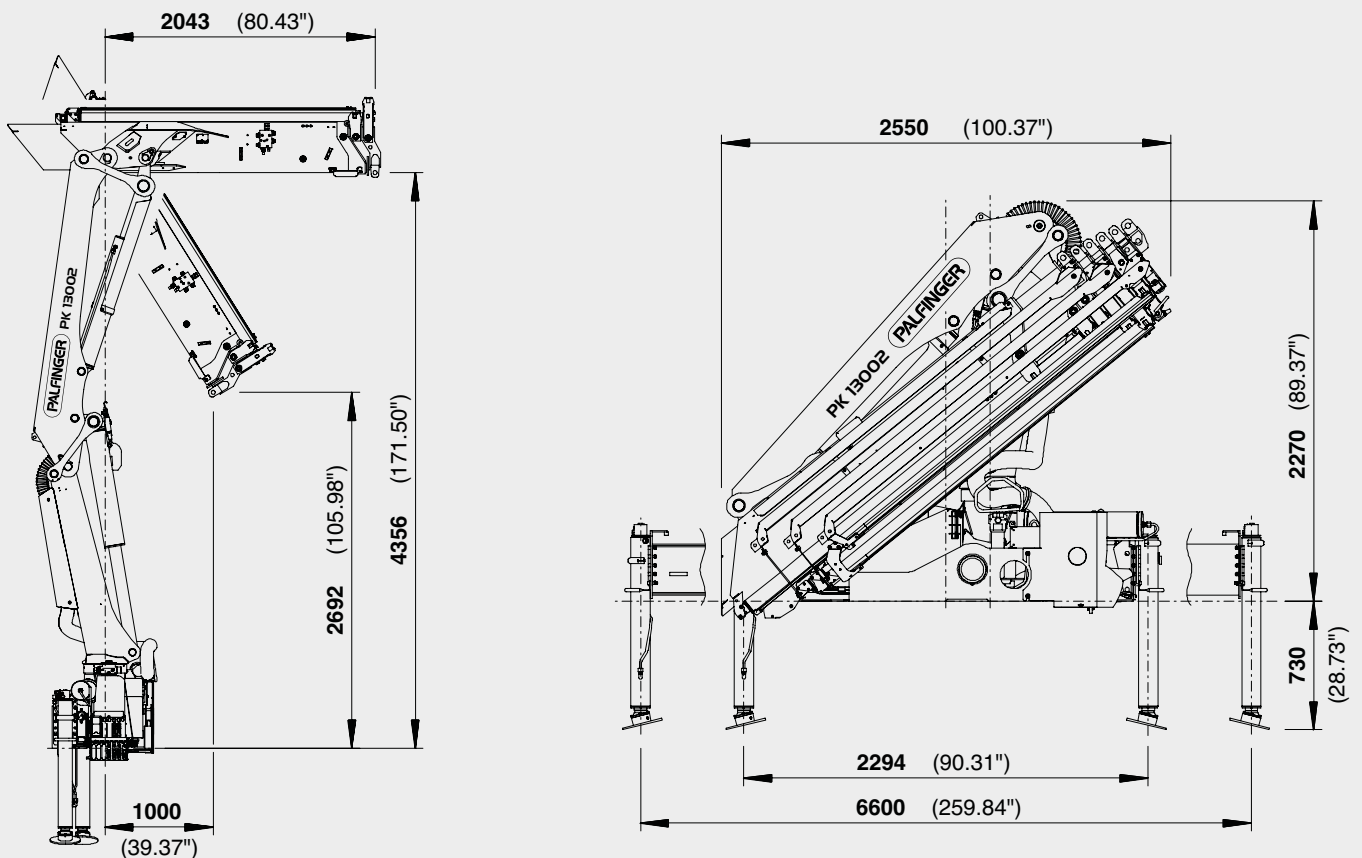
E		max.	5650 kg	12450 lbs
4.3 m	14' 1"	2400 kg	5300 lbs	
6.3 m	20' 8"	1460 kg	3200 lbs	
8.3 m	27' 3"	980 kg	2150 lbs	
10.4 m	34' 1"	700 kg	1540 lbs	
12.6 m	41' 4"	540 kg	1180 lbs	
14.7 m	48' 3"	440 kg	960 lbs	
16.8 m	55' 1"	370 kg	820 lbs	
18.9 m*	62' 0"	300 kg	660 lbs	

PERFECT DIMENSIONS

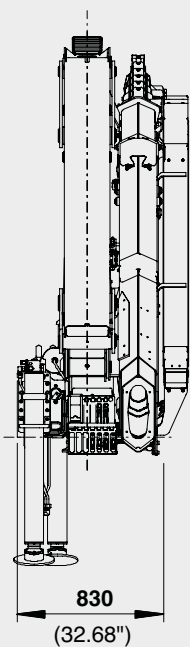
EXTENSION BOOM VARIATIONS



DIMENSIONS



PK 13002



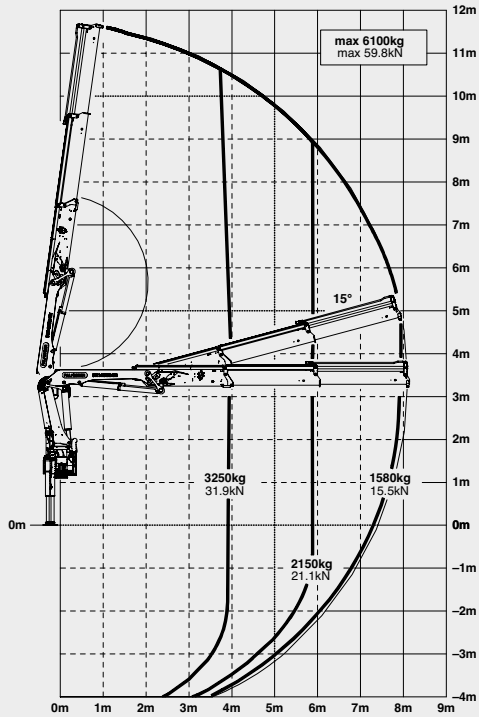
TECHNICAL SPECIFICATIONS (EN 12999 HC1 HD4/B3)

Max. lifting moment	12.0 mt/117.7 kNm	86780 ft.lbs
Max. lifting capacity	6200 kg/60.8 kN	13670 lbs
Max. hydraulic outreach	17.0 m	55' 9"
Max. manual outreach	19.0 m	62' 4"
Slewing angle	420°	
Slewing torque	1.6 mt/15.7 kNm	11580 ft.lbs
Stabiliser spread (std./max.)	5.0 m / 6.6 m	16' 5" / 21' 8"
Fitting space required (std.)	0.83 m	2' 9"
Width folded	2.51 m	8' 3"
Max. operating pressure	320 bar	4640 psi
Recommended pump capacity	from 35 l/min to 50 l/min	9.2 US gal./min 13.2 US gal./min
Dead weight (std.)	1764 kg	3890 lbs

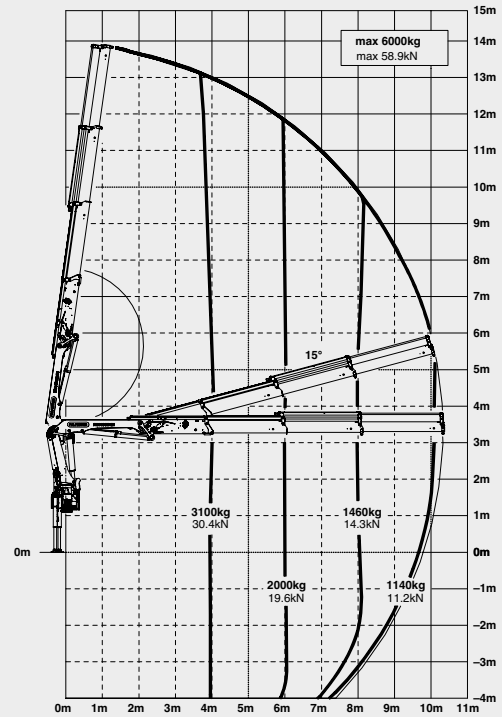
PK 14002 EH

HIGH PERFORMANCE

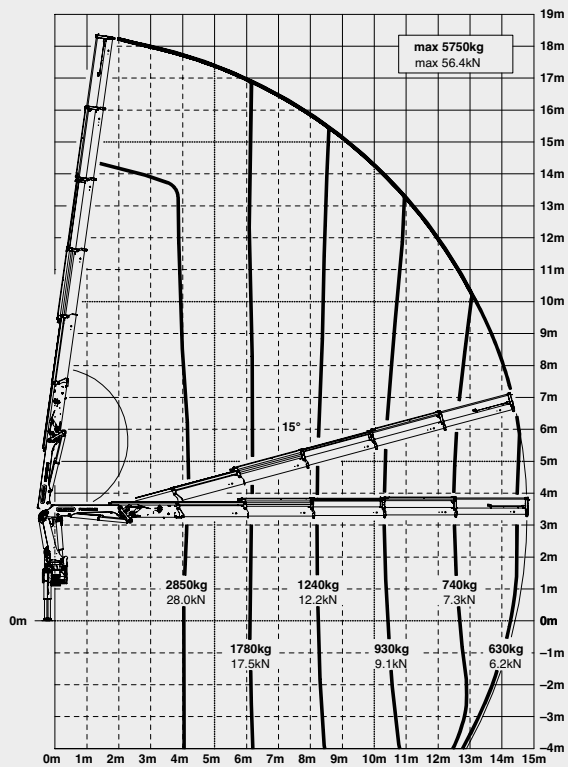
A



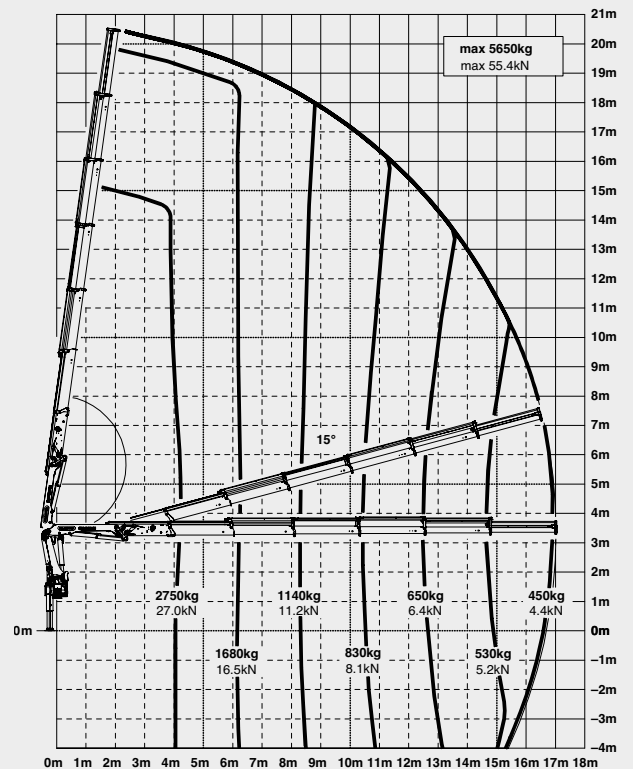
B



D

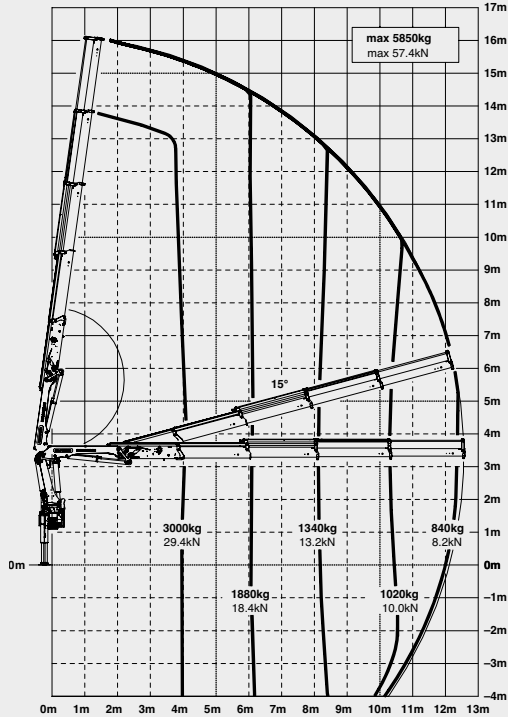


E



A SYNERGY OF FUNCTION AND DESIGN

C



LIFTING CAPACITIES

A		max.	6100 kg	13440 lbs
3.9 m	12' 10"	3250 kg	7200 lbs	
5.9 m	19' 4"	2150 kg	4700 lbs	
7.9 m	25' 11"	1580 kg	3500 lbs	

B		max.	6000 kg	13200 lbs
4.0 m	13' 1"	3100 kg	6900 lbs	
6.0 m	19' 8"	2000 kg	4400 lbs	
8.0 m	26' 3"	1460 kg	3200 lbs	
10.1 m	33' 2"	1140 kg	2500 lbs	
12.4 m*	40' 8"	860 kg	1900 lbs	
14.6 m*	47' 11"	670 kg	1480 lbs	

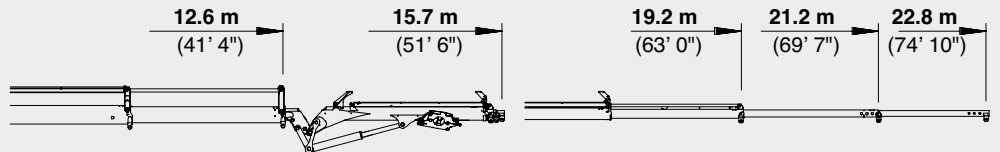
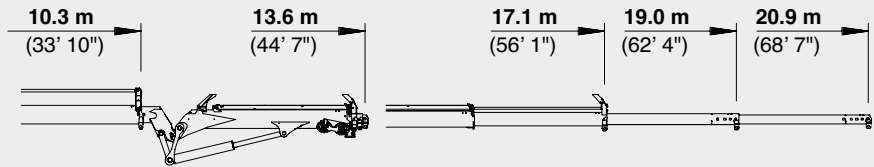
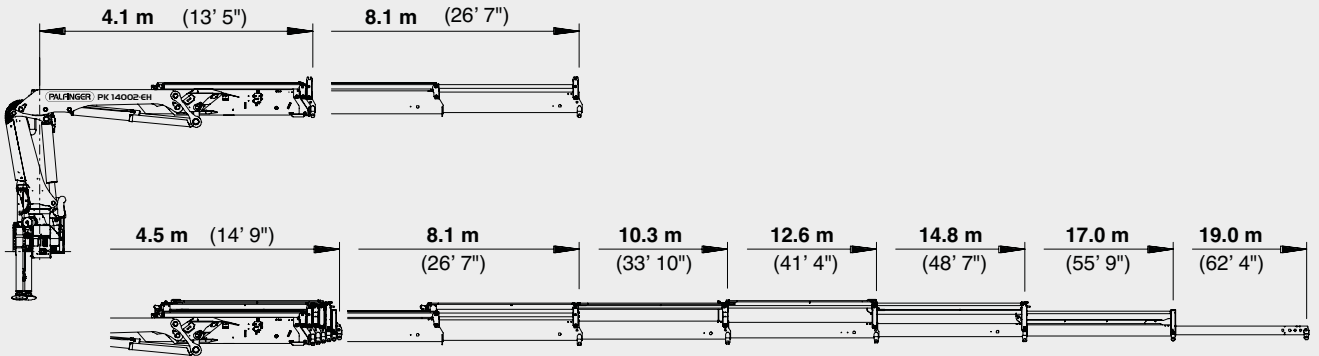
C		max.	5850 kg	12890 lbs
4.1 m	13' 5"	3000 kg	6600 lbs	
6.1 m	20' 0"	1880 kg	4150 lbs	
8.1 m	26' 7"	1340 kg	2950 lbs	
10.2 m	33' 6"	1020 kg	2250 lbs	
12.4 m	40' 8"	840 kg	1840 lbs	
14.6 m*	47' 11"	660 kg	1460 lbs	
16.8 m*	55' 1"	530 kg	1170 lbs	

D		max.	5750 kg	12670 lbs
4.2 m	13' 9"	2850 kg	6300 lbs	
6.2 m	20' 4"	1780 kg	3900 lbs	
8.2 m	26' 11"	1240 kg	2750 lbs	
10.3 m	33' 10"	930 kg	2050 lbs	
12.5 m	41' 0"	740 kg	1640 lbs	
14.6 m	47' 11"	630 kg	1380 lbs	
16.8 m*	55' 1"	500 kg	1100 lbs	
18.8 m*	61' 8"	410 kg	900 lbs	

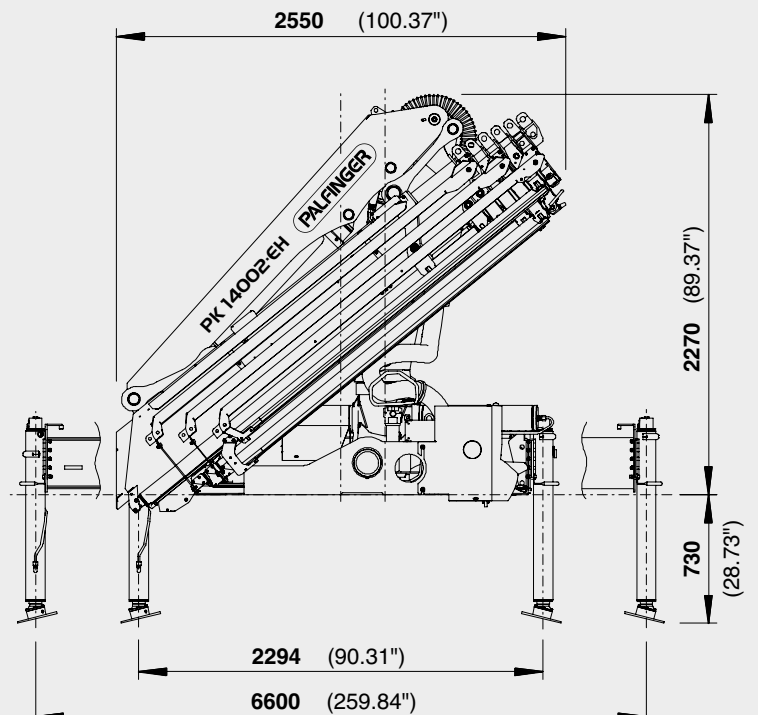
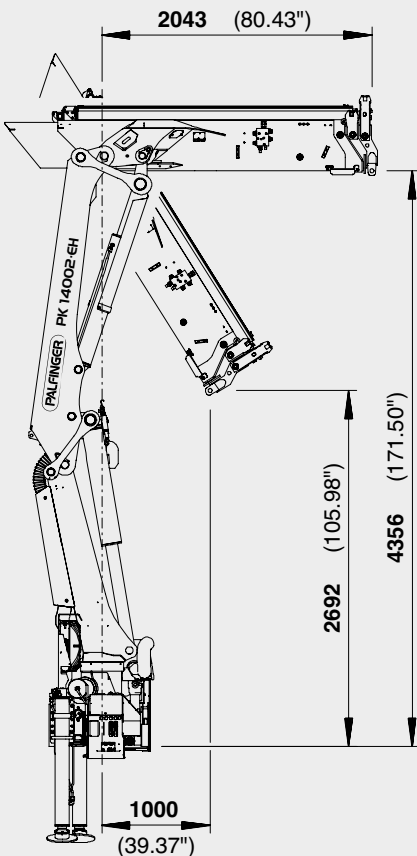
E		max.	5650 kg	12450 lbs
4.3 m	14' 1"	2750 kg	6000 lbs	
6.3 m	20' 8"	1680 kg	3700 lbs	
8.3 m	27' 3"	1140 kg	2550 lbs	
10.4 m	34' 1"	830 kg	1840 lbs	
12.6 m	41' 4"	650 kg	1420 lbs	
14.7 m	48' 3"	530 kg	1160 lbs	
16.8 m	55' 1"	450 kg	1000 lbs	
18.9 m*	62' 0"	370 kg	820 lbs	

PERFECT DIMENSIONS

EXTENSION BOOM VARIATIONS



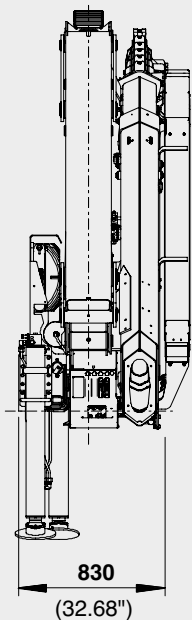
DIMENSIONS



PK 14002 EH

B PJ060A JV2

C PJ040A JV2



TECHNICAL SPECIFICATIONS (EN 12999 HC1 HD4/B3)

Max. lifting moment	13.4 mt/131.0 kNm	96590 ft.lbs
Max. lifting capacity	6200 kg/60.8 kN	13670 lbs
Max. hydraulic outreach	17.0 m	55' 9"
Max. manual outreach	19.0 m	62' 4"
max. outreach (with fly-jib)	23.0 m	75' 6"
Slewing angle	420°	
Slewing torque	1.6 mt/15.7 kNm	11580 ft.lbs
Stabiliser spread (std./max.)	5.0 m / 6.6 m	16' 5" / 21' 8"
Fitting space required (std.)	0.83 m	2' 9"
Width folded	2.51 m	8' 3"
Max. operating pressure	350 bar	5075 psi
Recommended pump capacity	from 50 l/min to 70 l/min	13.2 US gal./min 18.5 US gal./min
Dead weight (std.)	1789 kg	3940 lbs

PACKAGE MODEL

- E-HPLS
- Paltronic 50
- Radio remote control with LED display
- Danfoss control valve or PVG2000
- 8.5 kW oil cooler
- 140 l oil tank

