

PK 16002 / 18002 EH

PALFINGER

LIFETIME EXCELLENCE

**IT'S POWER LINK PLUS AND PERFECT
POWER TO WEIGHT RATIO OFFERS AN
EFFICIENT LOAD HANDLING**



LIFETIME EXCELLENCE

PALFINGER LOADER CRANES ARE CONVINCING DUE TO THEIR SUPERIOR LIFE-CYCLE PERFORMANCE. THEY ARE THE MOST ECONOMICAL AND ALSO THE MOST RELIABLE OVER THE ENTIRE PRODUCT LIFE. FROM SOLUTION FINDING TO RESALE.

BETTER
SOLUTIONS

BETTER
EFFICIENCY

BETTER
ERGONOMICS

HIGHER VALUE
RETENTION



HIGHER
AVAILABILITY

HIGHER
SERVICEABILITY

BETTER
ECOLOGY

MORE
RELIABILITY



EVEN MORE VERSATILE **WHEN COMBINED** WITH ROPE WINCH





- Maximum utilisation of the working range due to HPSC
- Increased operating times due to low-maintenance extension system
- High operator friendliness due to radio remote control
- Maximum precision and safety thanks to optional AOS
- Additional applications with Power Link Plus



FIRST-RATE IN DESIGN AND PERFORMANCE

12

HIGHLIGHTS



POWER LINK PLUS
HIGH VARIETY OF USES

With the 15-degree reverse linkage system, you can reach through low door openings and also work inside buildings. Heavy crane work – even in difficult conditions.



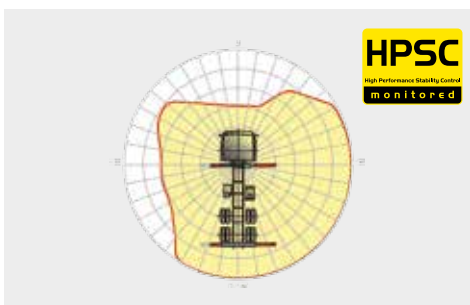
LOW-MAINTENANCE EXTENSION SYSTEM
REDUCES SERVICE TIME

With sliding elements made of synthetic material and the high-quality KTL coating, this boom system significantly simplifies service performed by the operator. This saves time and money – and protects the environment.



HIGH SPEED EXTENSION
FOR EFFICIENT ASSIGNMENTS

The High Speed Extension speeds up the extension boom system. Crane works faster and more efficiently.



HPSC
MAXIMUM UTILISATION OF THE WORKING RANGE

The variable stabiliser positioning of the High Performance Stability Control System makes it possible to utilise the lifting capacity to the maximum. It enables working within tight spaces.



PAL 50
COMFORT AND SAFETY

The PALTRONIC 50, PALFINGER offers the latest control electronics for the series production crane. The custom designed electronic operates and monitors the crane and offers more efficiency in use and safety.



CONTROL CONSOLE
ALL INFORMATION AT A GLANCE

All important information about the crane can be seen on the main control stand. A digital indicator counts and displays the operating hours. Ergonomic control levers and the optional lighting package provide increased safety and comfort even in poor visibility conditions.



KTL – CATHODIC DIP PAINTING
FOR RETAINING HIGH VALUE

The UV-resistant coating guarantees long-term surface protection. Perfect appearance during the entire lifetime for maximum resale value.



FUNCTIONAL DESIGN
PRACTICAL AND ATTRACTIVE

Robust plastic covers protect crane parts against dirt and damage. Better appearance and increased operational comfort – during the entire lifetime.



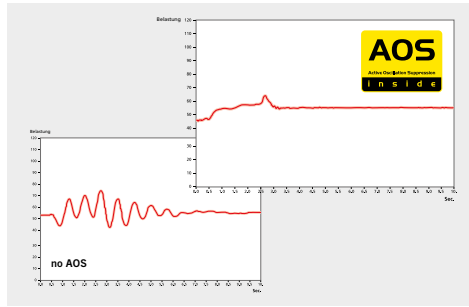
RADIO REMOTE CONTROL
DIALOGUE WITH THE OPERATOR

PALFINGER radio remote controls are equipped with linear lever or cross lever and provide the greatest possible comfort for the operator. All EH models with LED-Display inform the crane operator



HOSE EQUIPMENT FOR ATTACHMENTS
VERSATILE AND USER-FRIENDLY

The hose equipment offers an easy means of connecting auxiliary equipment. The hose equipment is guided in hose trays for protection.



AOS
MAXIMUM PRECISION AND SAFETY

The active oscillation suppression system prevents "post-oscillation" in the event of rapid braking or load changes. The stress peaks on the extension boom system are reduced and material fatigue and wear are minimised. This increases the resale value.



LIGHTING PACKAGE
MORE CRANE SAFETY PARTICULARLY AT DUSK AND DARK

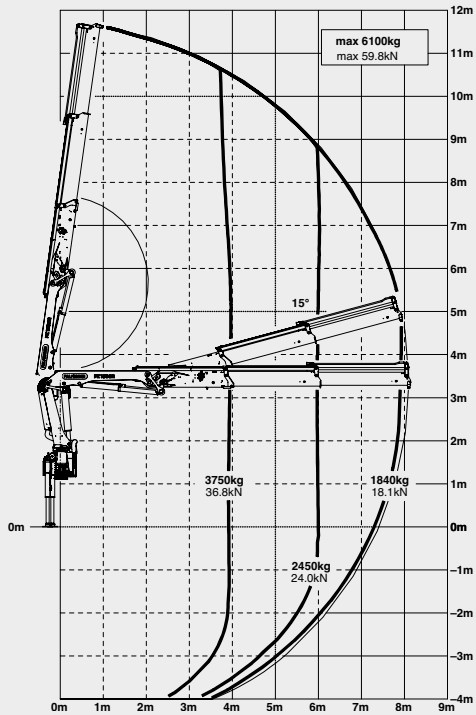
LEDs which backlight the control panel make it easier to read off the crane functions and provide the crane operator with a quick overview of the entire panel during the working process. LED warning lights in the supporting cylinders mean greater safety for crane operator and passers-by.



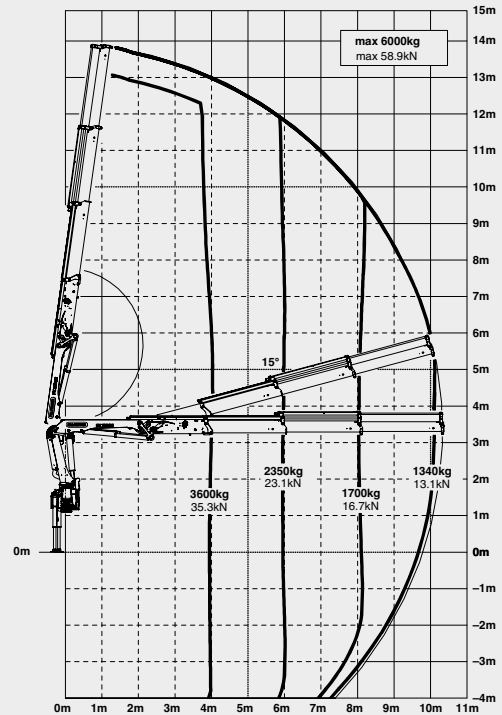
* Optional features / country-specific equipment

PK 16002 HIGH PERFORMANCE

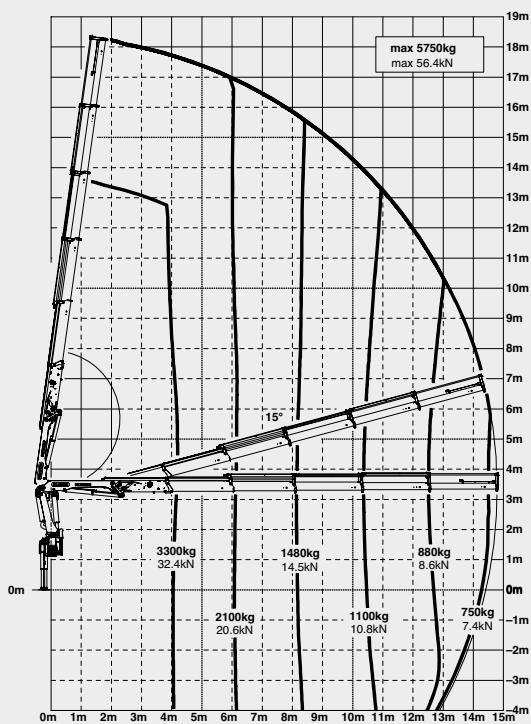
A



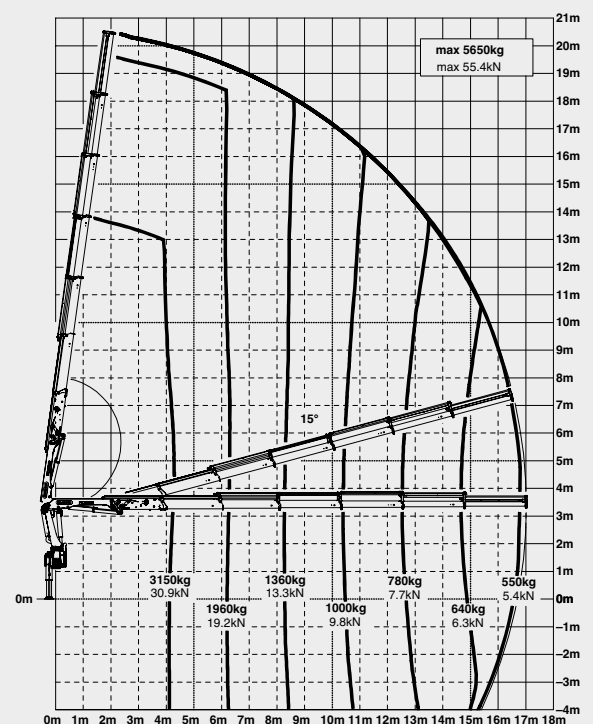
B



D

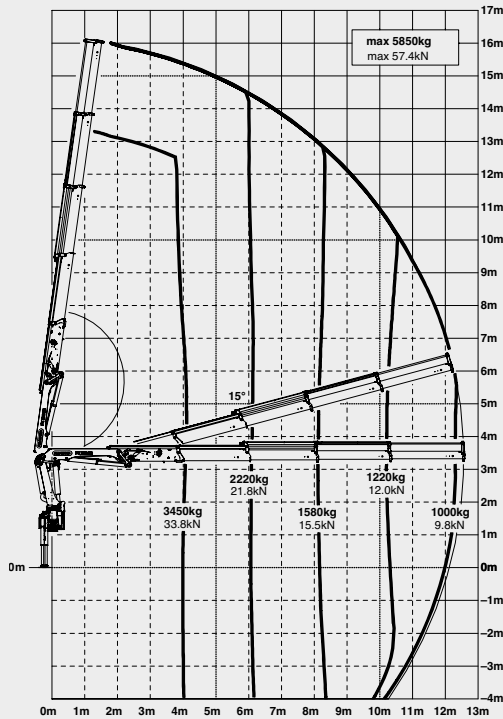


E



EXTENDED WORKING RANGE DUE TO FLY JIB

C



LIFTING CAPACITIES

A	max.		6100 kg	59.8 kN
	3.9 m	12' 10"	3750 kg	8300 lbs
	5.9 m	19' 4"	2450 kg	5400 lbs
	7.9 m	25' 11"	1840 kg	4050 lbs

B	max.		6000 kg	58.9 kN
	4.0 m	13' 1"	3600 kg	7900 lbs
	6.0 m	19' 8"	2350 kg	5100 lbs
	8.0 m	26' 3"	1700 kg	3750 lbs
	10.1 m	33' 2"	1340 kg	2950 lbs
	12.4 m*	40' 8"	1020 kg	2250 lbs
	14.6 m*	47' 11"	810 kg	1790 lbs

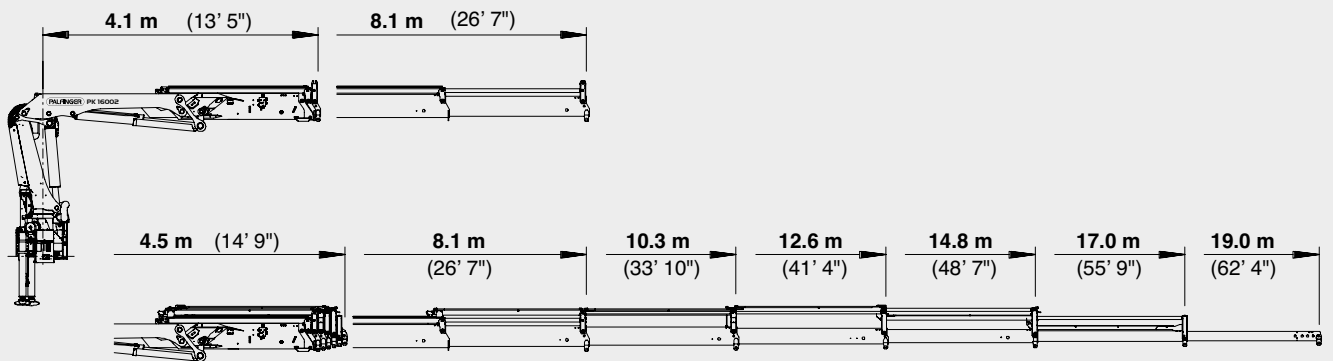
C	max.		5850 kg	57.4 kN
	4.1 m	13' 5"	3450 kg	7600 lbs
	6.1 m	20' 0"	2220 kg	4850 lbs
	8.1 m	26' 7"	1580 kg	3500 lbs
	10.2 m	33' 6"	1220 kg	2700 lbs
	12.4 m	40' 8"	1000 kg	2200 lbs
	14.6 m*	47' 11"	790 kg	1740 lbs
	16.8 m*	55' 1"	640 kg	1410 lbs

D	max.		5750 kg	56.4 kN
	4.2 m	13' 9"	3300 kg	7300 lbs
	6.2 m	20' 4"	2100 kg	4600 lbs
	8.2 m	26' 11"	1480 kg	3250 lbs
	10.3 m	33' 10"	1100 kg	2450 lbs
	12.5 m	41' 0"	880 kg	1960 lbs
	14.6 m	47' 11"	750 kg	1640 lbs
	16.8 m*	55' 1"	600 kg	1330 lbs
	18.8 m*	61' 8"	500 kg	1100 lbs

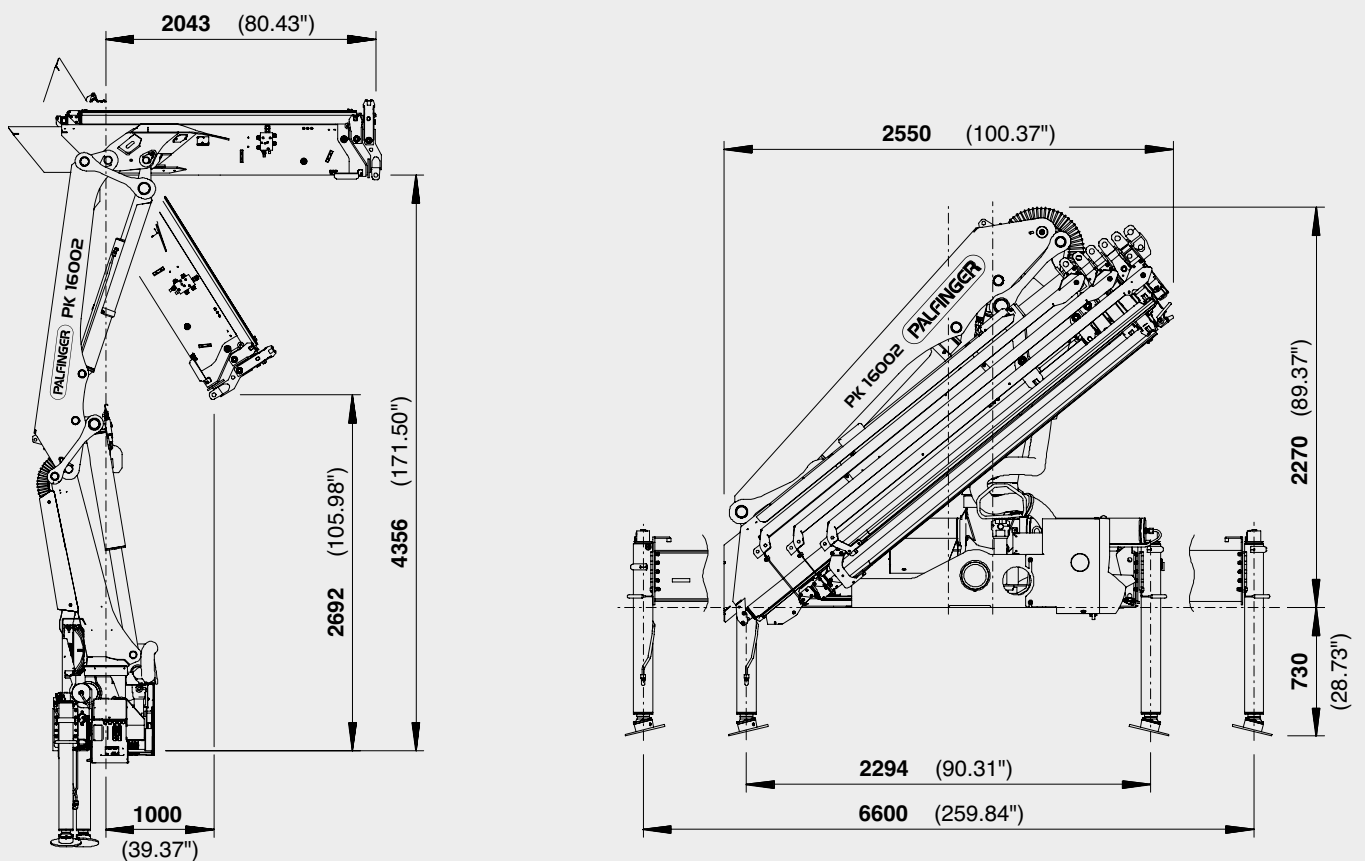
E	max.		5650 kg	55.4 kN
	4.3 m	14' 1"	3150 kg	7000 lbs
	6.3 m	20' 8"	1960 kg	4350 lbs
	8.3 m	27' 3"	1360 kg	3000 lbs
	10.4 m	34' 1"	1000 kg	2200 lbs
	12.6 m	41' 4"	780 kg	1720 lbs
	14.7 m	48' 3"	640 kg	1400 lbs
	16.8 m	55' 1"	550 kg	1200 lbs
	18.9 m*	62' 0"	450 kg	990 lbs

PERFECT DIMENSIONS

EXTENSION BOOM VARIATIONS



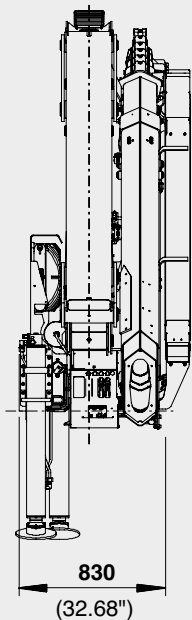
DIMENSIONS



PK 16002

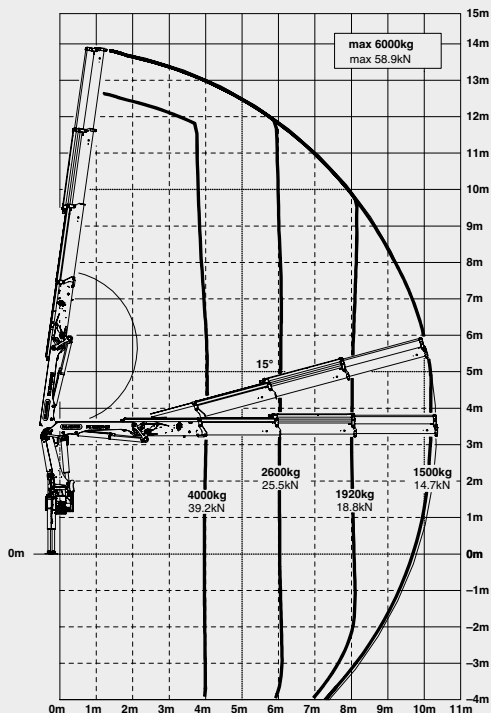
TECHNICAL SPECIFICATIONS (EN 12999 HC1 HD4/B3)

Max. lifting moment	15.4 mt/151.0 kNm	111330 ft.lbs
Max. lifting capacity	6200 kg/60.8 kN	13670 lbs
Max. hydraulic outreach	17.0 m	55' 9"
Max. manual outreach	19.0 m	62' 4"
Slewing angle	420°	
Slewing torque	2.0 mt/19.6 kNm	14450 ft.lbs
Stabiliser spread (std./max.)	5.0 m / 6.6 m	16' 5" / 21' 8"
Fitting space required (std.)	0.83 m	2' 9"
Width folded	2.51 m	8' 3"
Max. operating pressure	320 bar	4640 psi
Recommended pump capacity	from 40 l/min	10.6 US gal./min
	to 60 l/min	15.9 US gal./min
Dead weight (std.)	1868 kg	4120 lbs

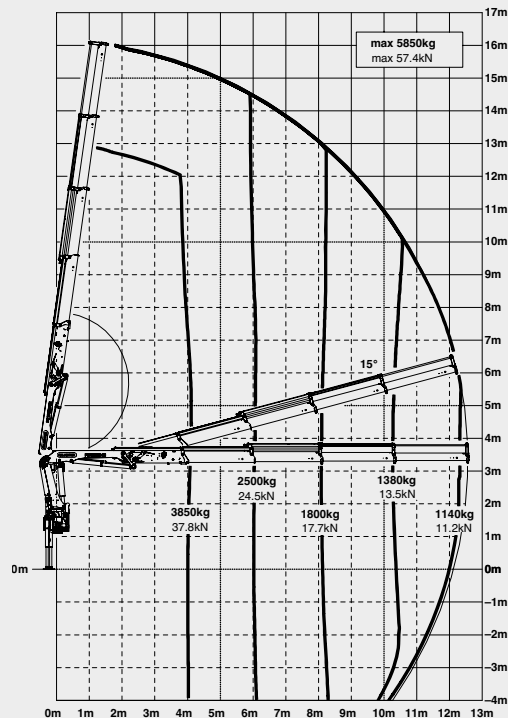


PK 18002 EH HIGH PERFORMANCE

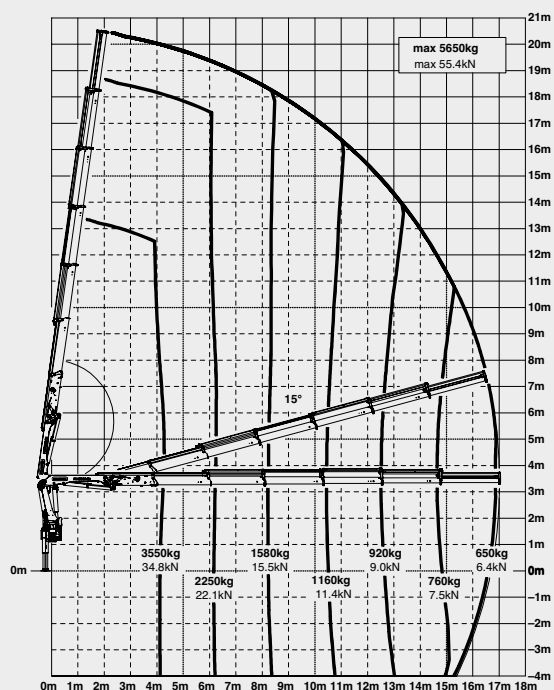
B



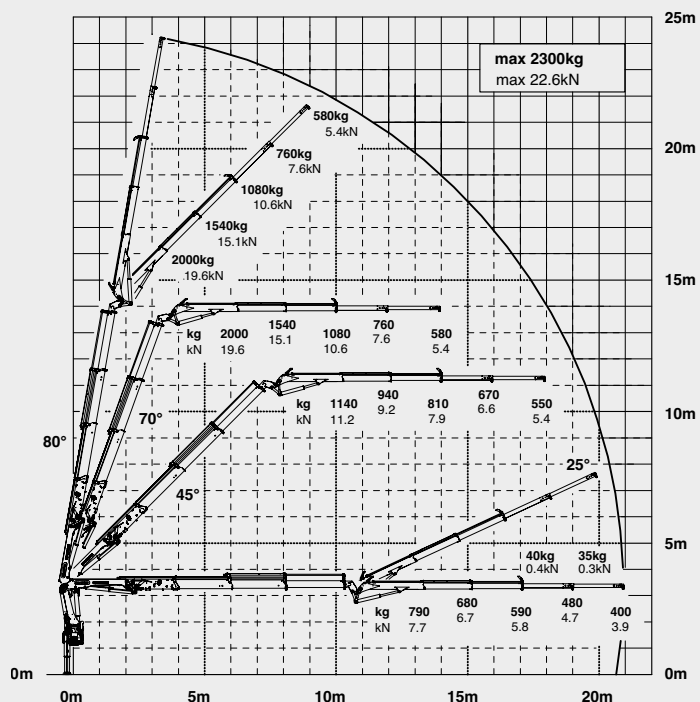
C



E

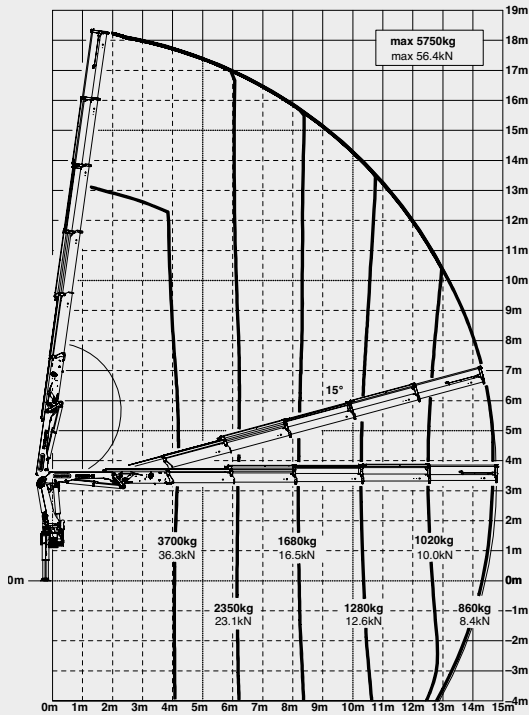


B PJ060A JV2



EQUIPMENT FOR EXACTING DEMANDS

D



LIFTING CAPACITIES

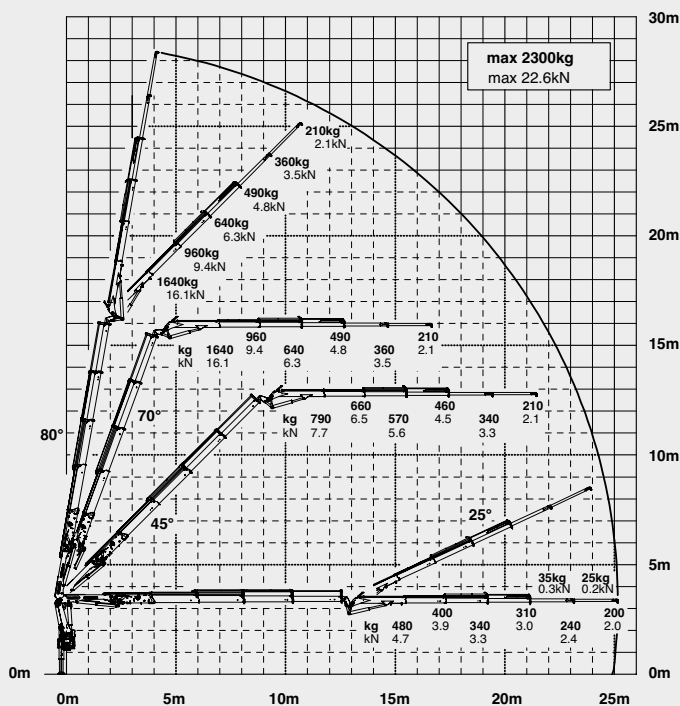
A		max.	6100 kg	59.8 kN
3.9 m	12' 10"	4200 kg	9200 lbs	
5.9 m	19' 4"	2750 kg	6100 lbs	
7.9 m	25' 11"	2050 kg	4500 lbs	

B		max.	6000 kg	58.9 kN
4.0 m	13' 1"	4000 kg	8800 lbs	
6.0 m	19' 8"	2600 kg	5800 lbs	
8.0 m	26' 3"	1920 kg	4250 lbs	
10.1 m	33' 2"	1500 kg	3300 lbs	
12.4 m*	40' 8"	1160 kg	2560 lbs	
14.6 m*	47' 11"	930 kg	2050 lbs	

C		max.	5850 kg	57.4 kN
4.1 m	13' 5"	3850 kg	8500 lbs	
6.1 m	20' 0"	2500 kg	5500 lbs	
8.1 m	26' 7"	1800 kg	3950 lbs	
10.2 m	33' 6"	1380 kg	3050 lbs	
12.4 m	40' 8"	1140 kg	2500 lbs	
14.6 m*	47' 11"	910 kg	2010 lbs	
16.8 m*	55' 1"	730 kg	1610 lbs	

D		max.	5750 kg	56.4 kN
4.2 m	13' 9"	3700 kg	8200 lbs	
6.2 m	20' 4"	2350 kg	5200 lbs	
8.2 m	26' 11"	1680 kg	3700 lbs	
10.3 m	33' 10"	1280 kg	2800 lbs	
12.5 m	41' 0"	1020 kg	2250 lbs	
14.6 m	47' 11"	860 kg	1900 lbs	
16.8 m*	55' 1"	700 kg	1550 lbs	
18.8 m*	61' 8"	580 kg	1280 lbs	

C PJ060B JV2

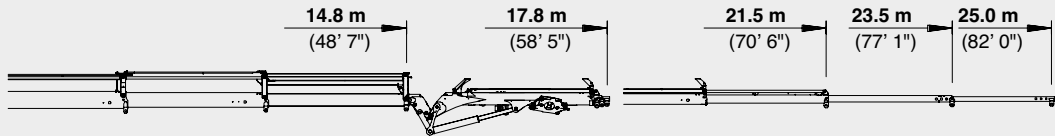
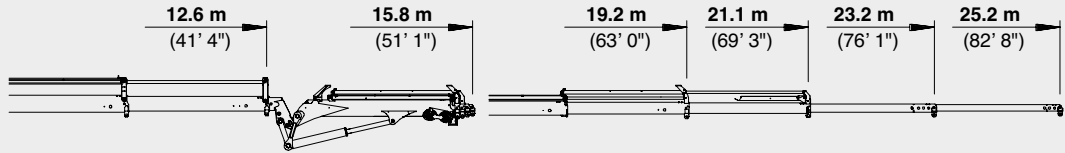
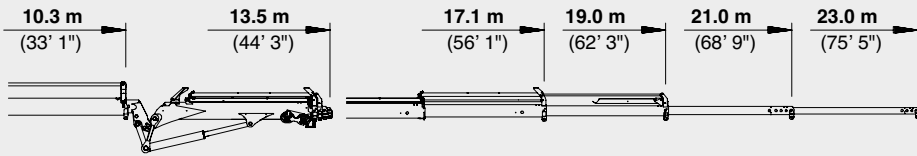
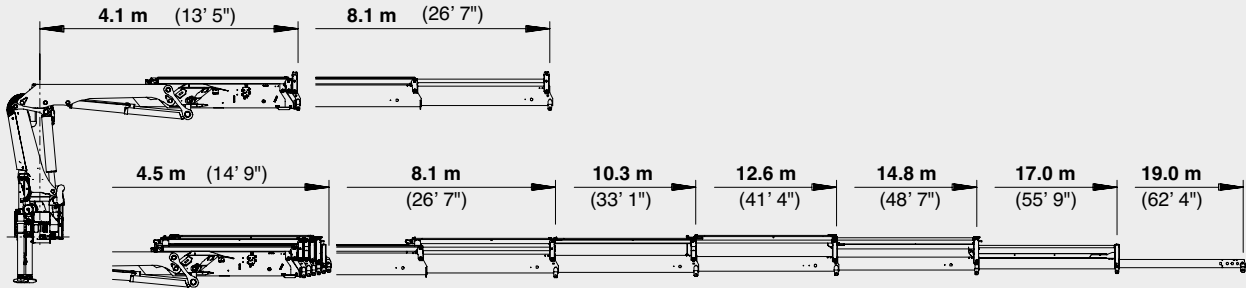


E		max.	5650 kg	55.4 kN
4.3 m	14' 1"	3550 kg	7800 lbs	
6.3 m	20' 8"	2250 kg	4900 lbs	
8.3 m	27' 3"	1580 kg	3450 lbs	
10.4 m	34' 1"	1160 kg	2550 lbs	
12.6 m	41' 4"	920 kg	2050 lbs	
14.7 m	48' 3"	760 kg	1680 lbs	
16.8 m	55' 1"	650 kg	1440 lbs	
18.9 m*	62' 0"	550 kg	1220 lbs	

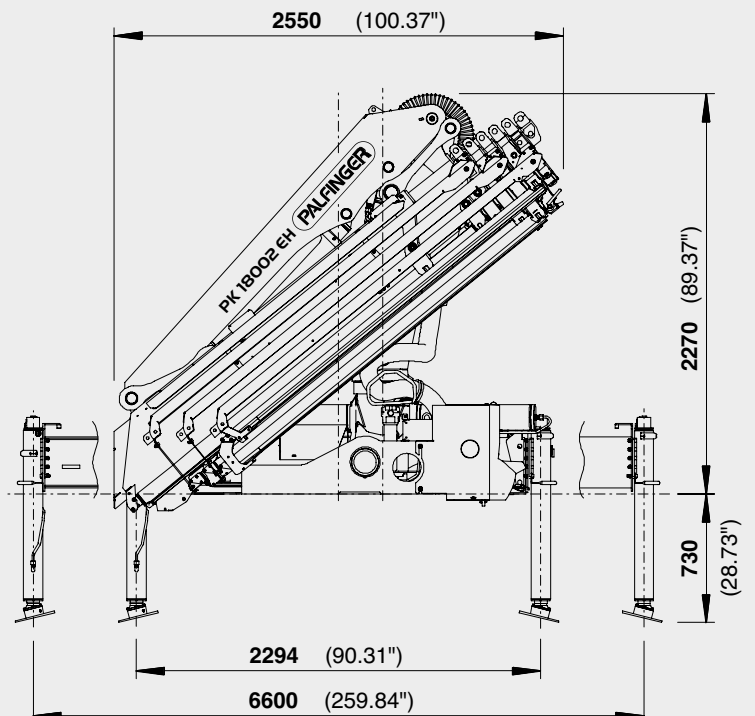
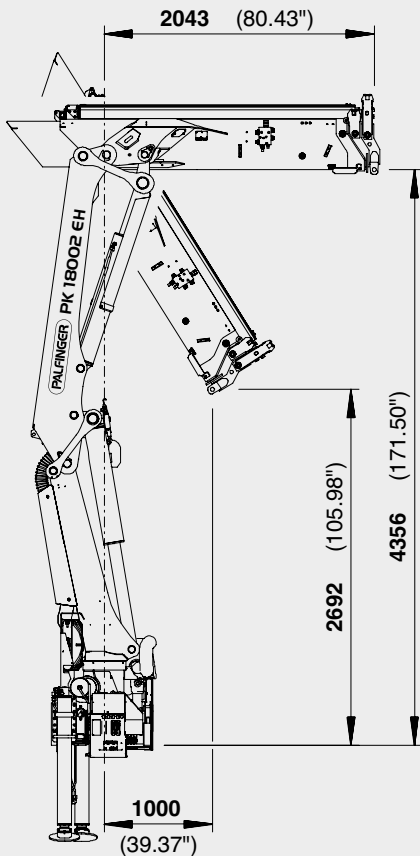
*mechanical extension

PERFECT DIMENSIONS

EXTENSION BOOM VARIATIONS



DIMENSIONS

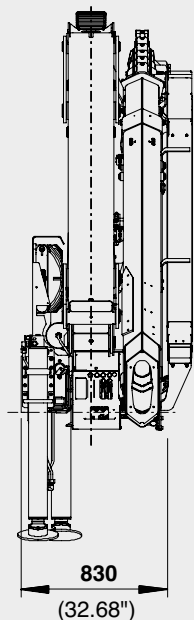


PK 18002 EH

B PJ060B JV2

C PJ060B JV2

D PJ040A JV2



TECHNICAL SPECIFICATIONS (EN 12999 HC1 HD4/B3)

Max. lifting moment	17.1 mt/168.0 kNm	123870 ft.lbs
Max. lifting capacity	6200 kg/60.8 kN	13670 ft.lbs
Max. hydraulic outreach	17.0 m	55' 9"
Max. manual outreach	19.0 m	62' 4"
Max. outreach (with fly-jib)	25.1 m	82' 4"
Slewing angle	420°	
Slewing torque	2.0 mt/19.6 kNm	14450 ft.lbs
Stabiliser spread (std./max.)	5.0 m / 6.6 m	16' 5" / 21' 8"
Fitting space required (std.)	0.83 m	2' 9"
Width folded	2.51 m	8' 3"
Max. operating pressure	350 bar	5075 psi
Recommended pump capacity	from 60 l/min to 80 l/min	15.9 US gal./min 21.1 US gal./min
Dead weight (std.)	1893 kg	4170 lbs

PACKAGE MODEL

- E-HPLS
- Paltronic 50
- Radio remote control with LED display
- Danfoss control valve or PVG2000
- 8.5 kW oil cooler
- 140 l oil tank

