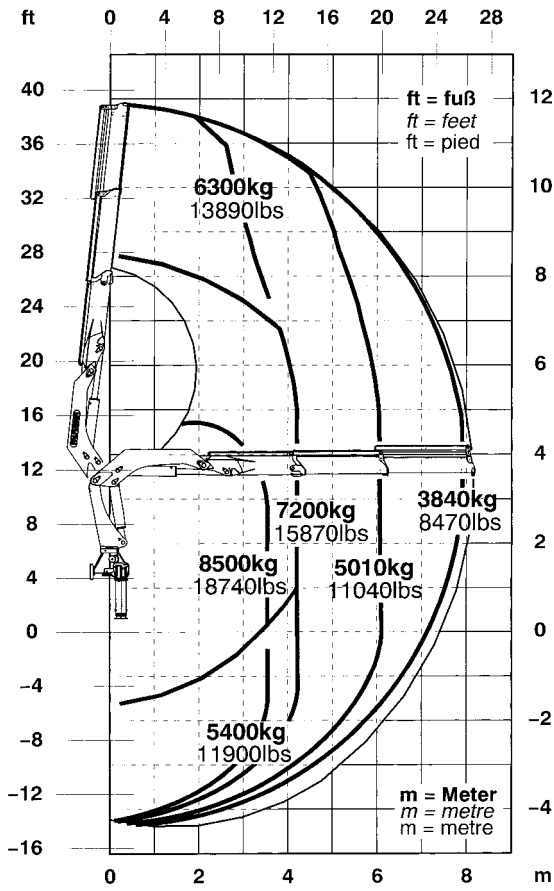


PK 32080

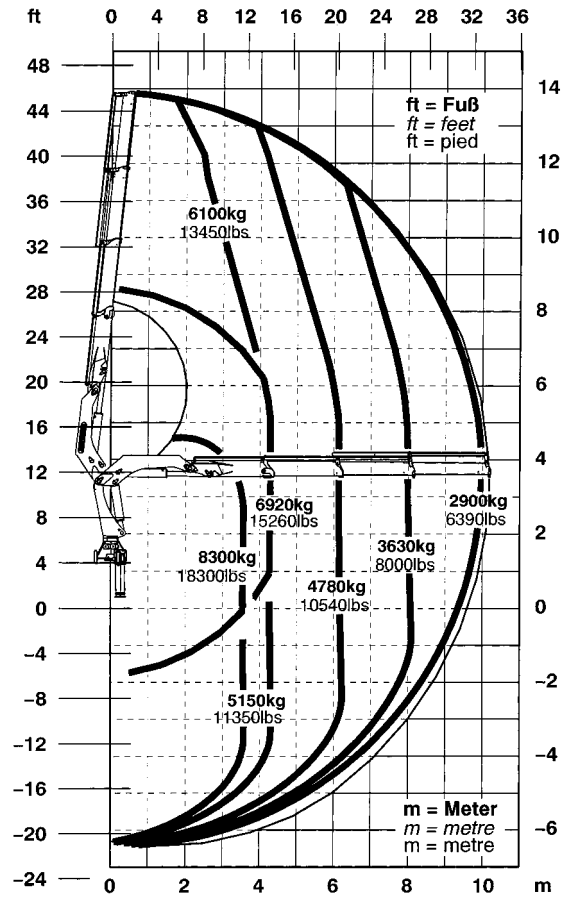
PALFINGER



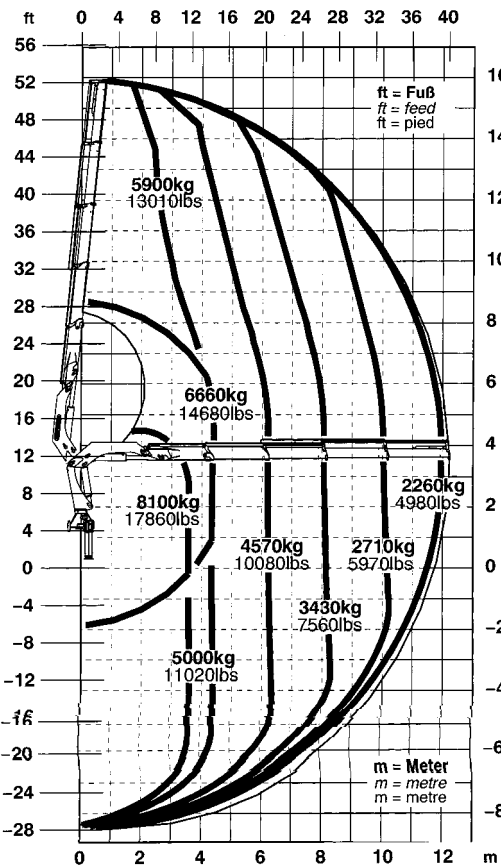
PK 32080 A



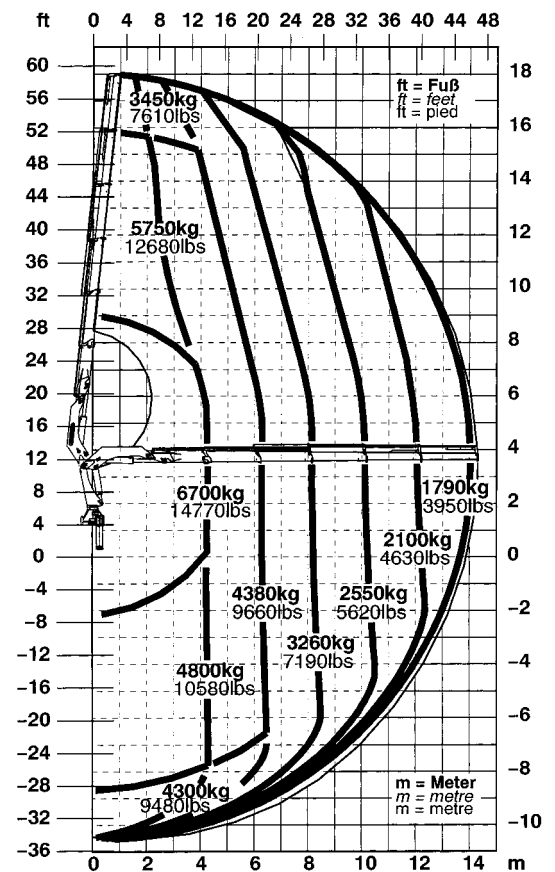
PK 32080 B



PK 32080 C



PK 32080 D



Technical specifications (EN 12999 H1-B3):

PK 32080

Max. lifting moment	219880 ft.lbs/30.4 mt		
Max. lifting capacity	18740 lbs/8500 kg at	11' 6"	3.5 m
Max. hydraulic outreach		46' 11"	14.3 m
Maximum outreach		68' 11"	21.0 m
Maximum outreach (with Fly-jib)		81' 8"	24.9 m
Slewing angle	400°		

Standard crane:

Slewing torque	27490 ft.lbs/3.8 mt		
Outreach		26' 7"	8.1 m
Stabilizer spread	standard	19' 8"	6.0 m
	maximum	19' 8"	6.0 m
Fitting space required		3' 3"	0.97 m
Width folded		8' 3"	2.5 m
Operating pressure		4350 psi	300 bar
Recommended pump capacity	12.1-17.6 imp.gal./min (14.5-21.1 US gal./min)	from 55 l/min to 80 l/min	
Recommended pump capacity with radio remote control and LS-System	17.6 imp.gal./min (21.1 US gal./min)	80 l/min	
Dead weight (without mounting parts, pump and oil)	6900 lbs 3130 kg		

Max. lifting capacities:

Outreach	Capacity
----------	----------

PK 32080 A

hydraulic			
3.5 m	8500 kg	11' 6"	18740 lbs
4.2 m	7200 kg	13' 9 1/2"	15875 lbs
6.0 m	5010 kg	19' 8"	11045 lbs
7.9 m	3840 kg	25' 11"	8465 lbs

PK 32080 B

hydraulic			
3.6 m	8300 kg	11' 10"	18300 lbs
4.3 m	6920 kg	14' 2"	15255 lbs
6.1 m	4780 kg	20' 1/4"	10540 lbs
8.0 m	3630 kg	26' 3"	8000 lbs
9.9 m	2900 kg	32' 6"	6395 lbs

manual			
11.9 m	2340 kg	39' 1/2"	5160 lbs
14.0 m	1920 kg	46' 11"	4230 lbs
16.2 m	1300 kg	53' 2"	2870 lbs
18.4 m	900 kg	60' 8 1/2"	1980 lbs
20.8 m	600 kg	68' 3"	1320 lbs

Outreach	Capacity
----------	----------

PK 32080 C

hydraulic			
3.6 m	8100 kg	11' 10"	17860 lbs
4.4 m	6600 kg	14' 5"	14550 lbs
6.2 m	4570 kg	20' 4"	10070 lbs
8.0 m	3430 kg	26' 3"	7560 lbs
10.0 m	2710 kg	32' 10"	5970 lbs
11.9 m	2260 kg	39' 1/2"	4980 lbs

manual			
14.0 m	1760 kg	45' 11"	3880 lbs
16.2 m	1300 kg	53' 2"	2870 lbs
18.4 m	900 kg	60' 8 1/2"	1980 lbs
20.8 m	600 kg	68' 3"	1320 lbs

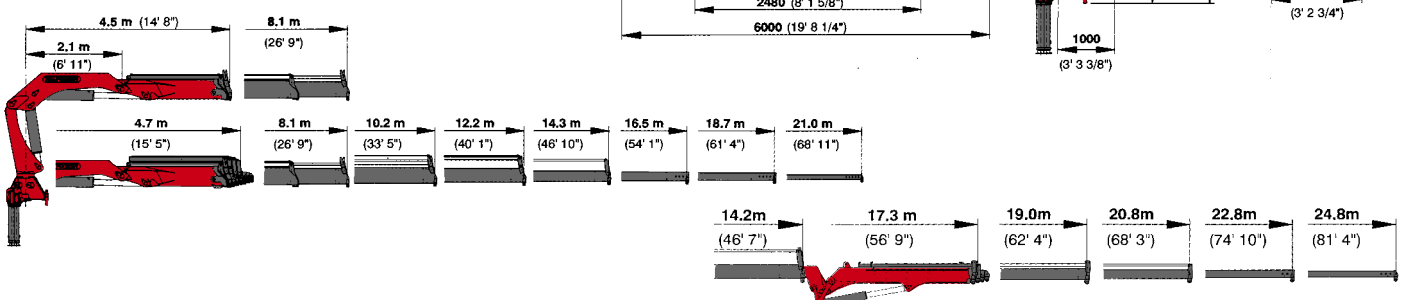
Outreach	Capacity
----------	----------

PK 32080 D

hydraulic			
4.3 m	6700 kg	14' 11 1/2"	14770 lbs
4.4 m	6420 kg	14' 5"	14150 lbs
6.3 m	4380 kg	20' 9"	9660 lbs
8.1 m	3260 kg	26' 7"	7190 lbs
10.1 m	2550 kg	33' 11 1/2"	5620 lbs
12.0 m	2100 kg	39' 4 1/2"	4630 lbs
14.0 m	1790 kg	45' 11"	3930 lbs

manual			
16.1 m	1300 kg	53' 0"	3265 lbs
18.4 m	900 kg	60' 4"	2425 lbs
20.7 m	600 kg	67' 11"	1320 lbs

The reaches are indicated for a 20° main boom position and are therefore not the maximum ones.





Cranes shown in the leaflet are partially optional equipped and do not always correspond to the standard version. Country-specific regulations must be observed. Dimensions may vary. Subject to technical changes, errors and translation mistakes.