

PK 32002

Performance

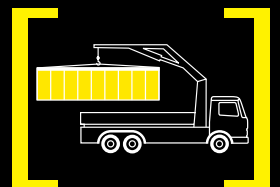
PALFINGER



SOLID ENTRY INTO THE HEAVY-DUTY CLASS

The PK 32002 *Performance* is a universal truck loading crane which stands out by virtue of its excellent movement geometry. Deployment of the proven POWER LINK double linkage system becomes even more efficient in combination with the POWER LINK PLUS – a knuckle boom which can be angled upwards 15°. Thanks to its endless slewing mechanism the crane achieves maximum mobility.

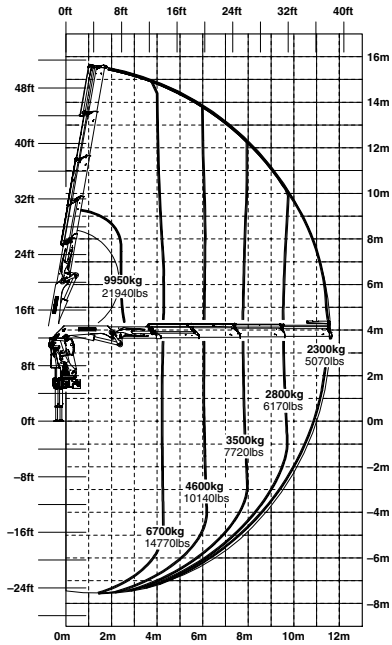
For overload protection the PK 32002 *Performance* is equipped as standard with the PALTRONIC 50 system.



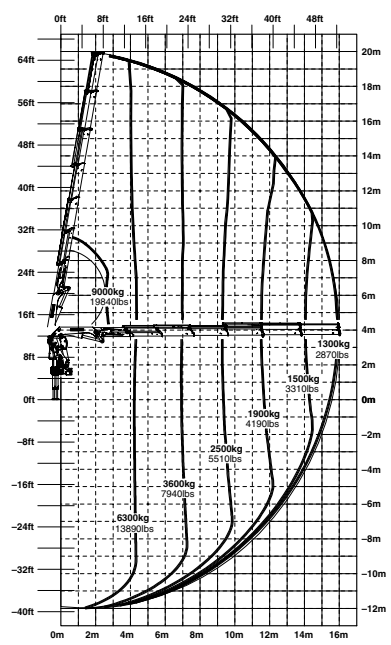
ENORMOUS LIFTING CAPACITY TOGETHER WITH AN EXTREMELY LOW DEAD WEIGHT MEANS A HIGH PAYLOAD AND EXCELLENT COST-EFFICIENCY



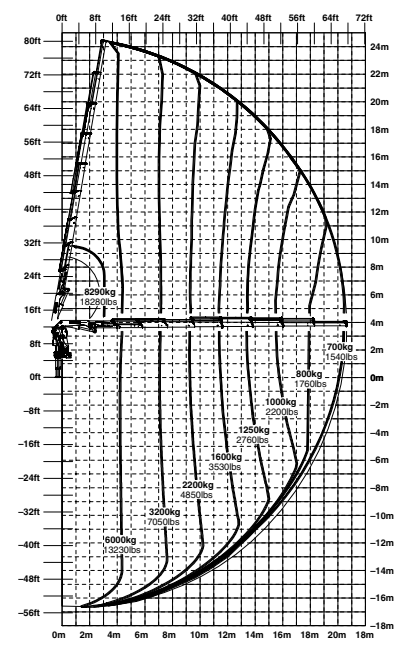
PK 32002 Performance C



PK 32002 Performance E

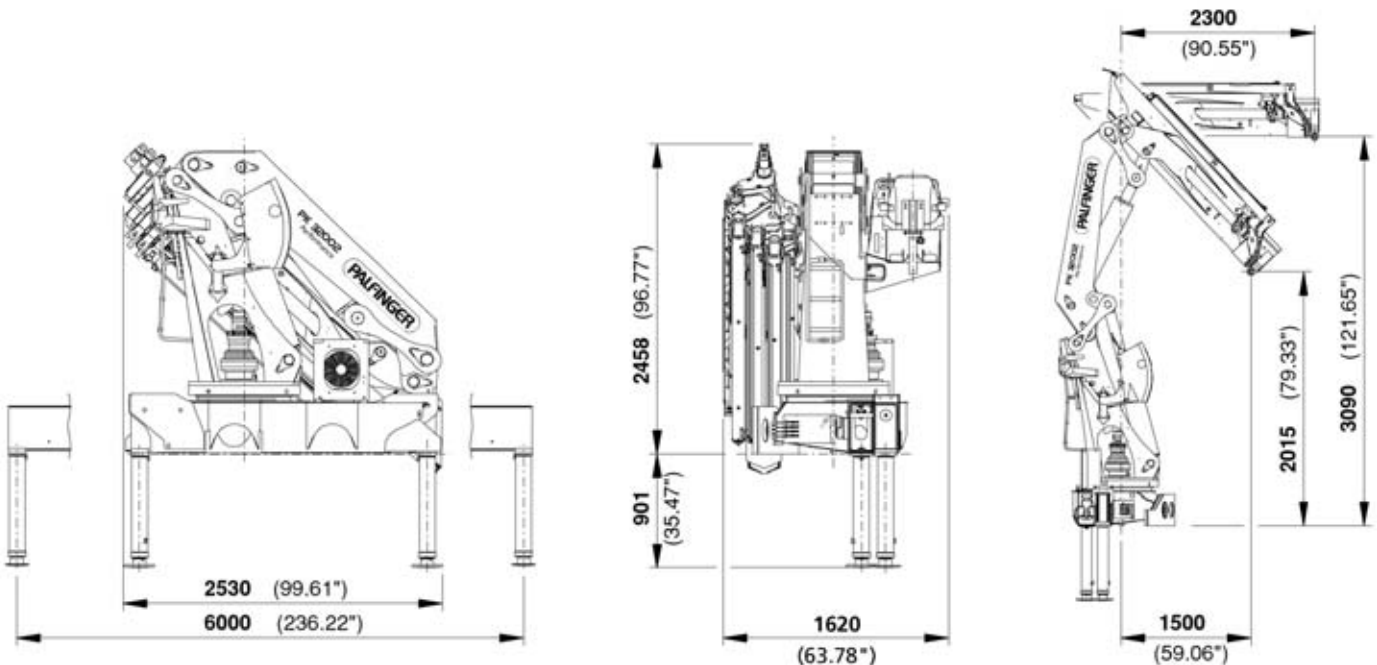


PK 32002 Performance G



PK 32002 Performance		
Technical Specifications (DIN 15018 H1-B3)		
Max. lifting moment	31.5 mt/309,0 kNm	227820 ft.lbs
Max. lifting capacity	10870 kg/106,6 kN	23960 lbs
Max. hydraulic outreach	20.6 m	67' 7"
Max. outreach (with fly-jib)	27.8 m	91' 2"
Slewing angle	endless	

PK 32002 Performance		
Standard crane		
Slewing torque	4.0 mt/39,2 kNm	28930 ft.lbs
Outreach	7.7 m	25' 3"
Stabilizer spread standard	6.0 m	19' 8"
Stabilizer spread max.	7.4 m	24' 3"
Fitting space required	1.62 m	5' 4"
Width folded	2.5 m	8' 4"
Max. operating pressure	300 bar	4350 psi
Recommended pump capacity	from 80 l/min	17.6 imp.gal./min 21.1 US gal./min
	to 100 l/min	22.0 imp.gal./min 26.4 US gal./min
Dead weight standard crane	3575 kg	7880 lbs



Applications shown in the leaflet do not always correspond to the standard specifications. Design and specification are subject to change without prior notice. Country-specific regulations must be considered for the crane installation.