

PK 88002 EH

PALFINGER

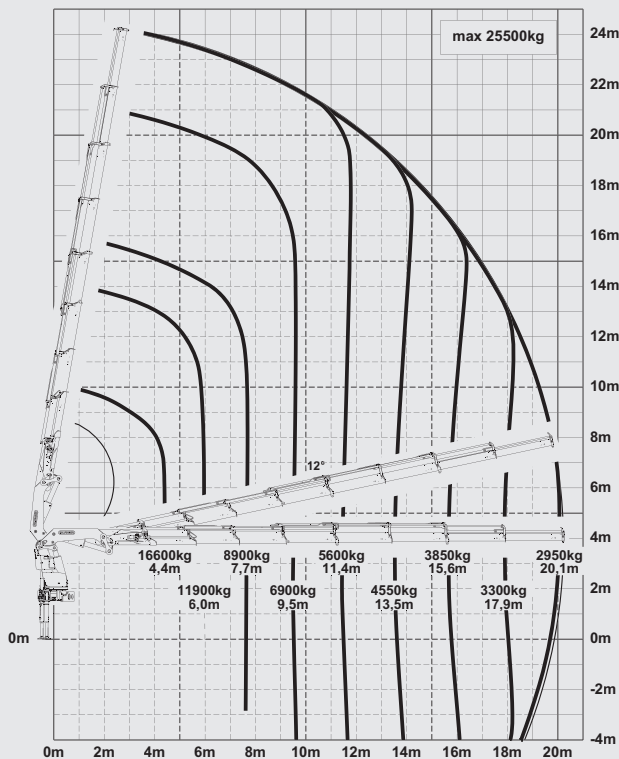
LIFETIME EXCELLENCE

THE POWER LINK PLUS ENABLES OPERATIONS WITHIN CONFINED SPACES.

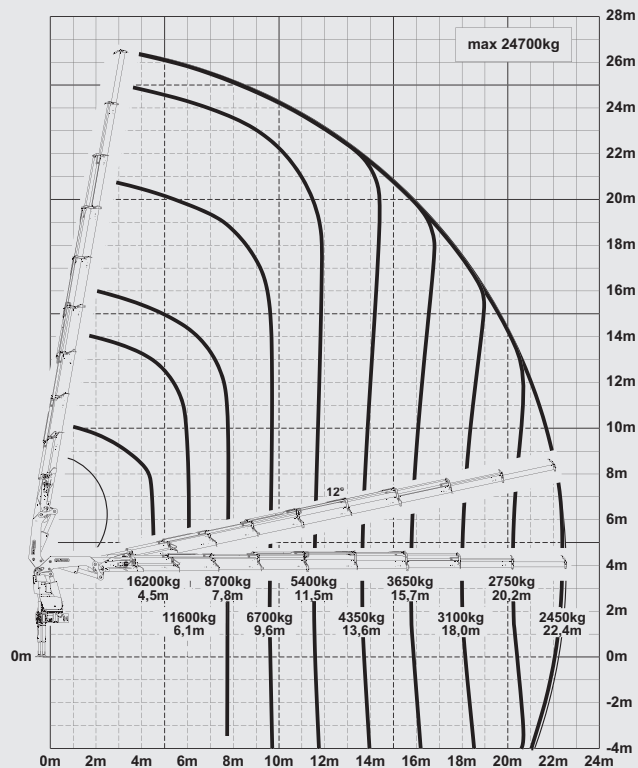


PK 88002 EH HIGH PERFORMANCE

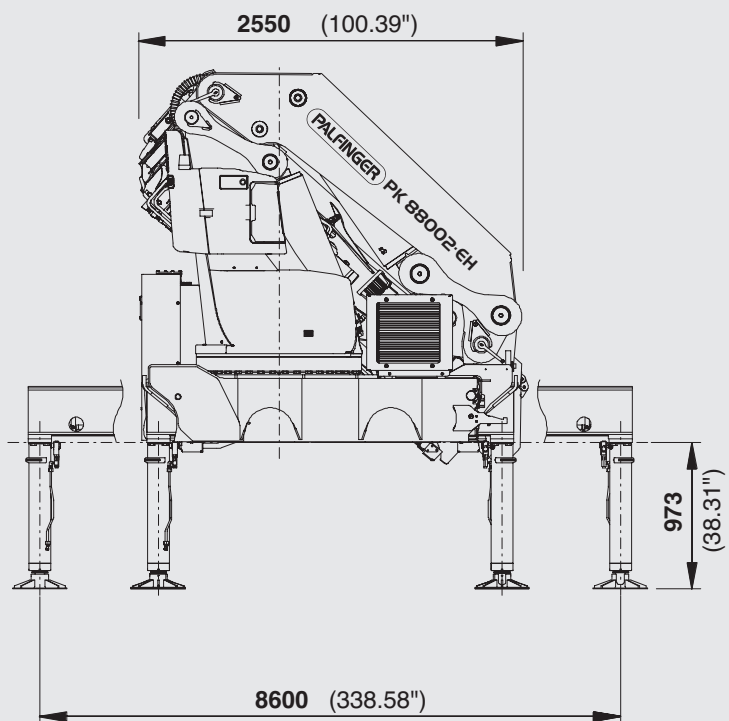
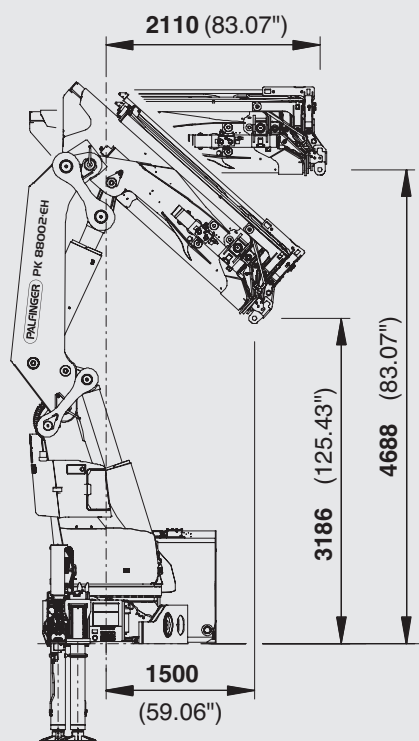
G



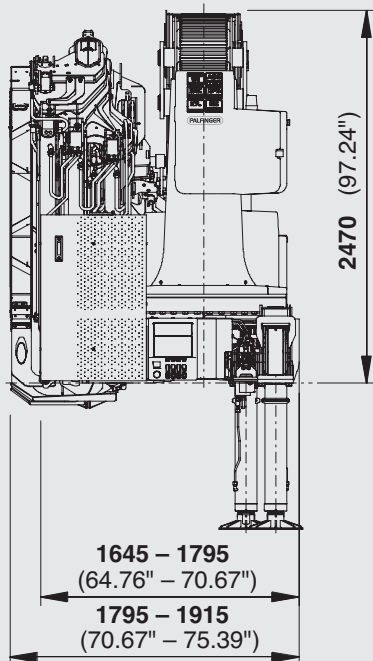
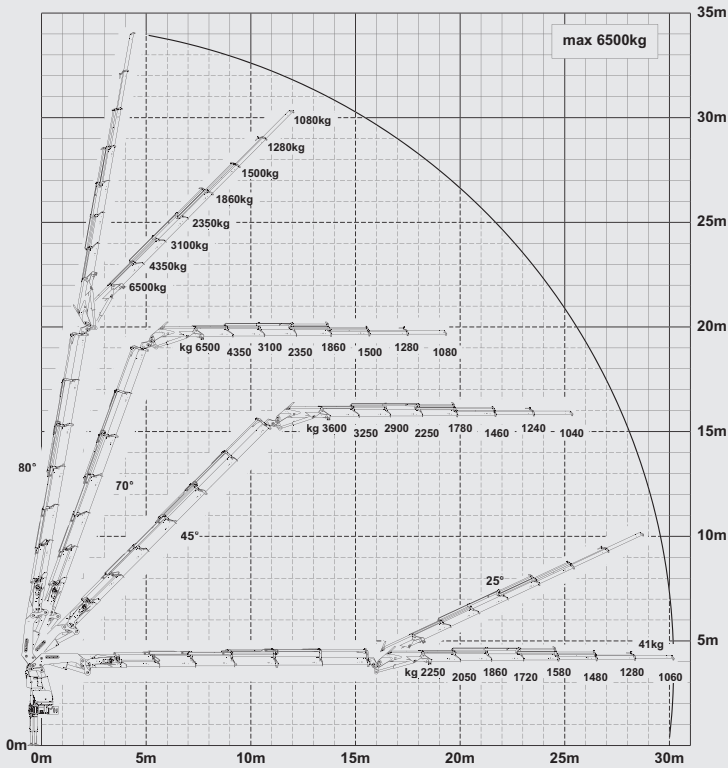
H



DIMENSIONS



E PJ170E JV1



- High value retention due to KTL coating
- Additional applications due to Power Link Plus
- Maximum utilisation of the working range due to HPSC
- More lifting power due to E-HPLS



TECHNICAL SPECIFICATIONS (EN 12999 HC1 HD4/B3)

Max. lifting moment	81.6 mt/ 800.7 kNm	590520 ft.lbs.
Max. lifting capacity	30000 kg/ 294.3 kN	66200 ft.lbs.
Max. hydraulic outreach	22.5 m	73' 10"
Max. manual outreach	25.0 m	82' 0"
Max. outreach (with fly jib)	32,4 m	106' 4"
Slewing angle	endless	
Slewing torque	7.7 mt/76.0 kNm	56050 ft.lbs.
Stabilizer spread (std.)	8.6 m	28' 3"
Fitting space required (std.)	std. 1.65 m/ 5' 5"	max. 1.92 m/ 6' 3"
Width folded	2.55 m	8' 4"
Max. operating pressure	365 bar	5293 psi
Recommended pump capacity	from 110 l/min	29.1 US gal./min
	to 130 l/min	34.3 US gal./min
Dead weight (std.)	6780 kg	14950 lbs



* Optional features / country-specific equipment

PALFINGER LOADER CRANES ARE CONVINCING DUE TO THEIR SUPERIOR LIFE-CYCLE PERFORMANCE. THEY ARE THE MOST ECONOMICAL AND ALSO THE MOST RELIABLE OVER THE ENTIRE PRODUCT LIFE. FROM SOLUTION FINDING TO RESALE.

➤ **BETTER SOLUTIONS**

➤ **HIGHER VALUE RETENTION**

➤ **BETTER EFFICIENCY**

➤ **BETTER ECOLOGY**



➤ **BETTER ERGONOMICS**

➤ **HIGHER SERVICEABILITY**

➤ **HIGHER AVAILABILITY**

➤ **MORE RELIABILITY**

For further information please visit: www.palfinger.com/thebrand