

PK 11502

Performance

PALFINGER



WITH ITS ENORMOUS OUTREACH
IT SETS NEW STANDARDS IN ITS CLASS!



THIS CRANE OFFERS THE HIGHEST LEVEL OF QUALITY, SAFETY AND RELIABILITY

The PK 11502 *Performance* stands out by virtue of its versatility. Whether in the municipal sector or in recycling duty, whether handling building materials or unit loads, day after day it proves its great performance spectrum.

The appearance of the *Performance* cranes underlines the new line from PALFINGER: function and design in synergy.



IT PROVES ITS RELIABILITY IN CONTINUOUS SERVICE ON THE CONSTRUCTION SITE

Adjustable slide blocks

Internally routed oil ducts

On the multiple extensions there are no hydraulic hoses between the cylinders. The internally routed oil passages make it possible to have a compact boom design.

Return oil use

By using of the return oil flow in the extension system, the operating speed is increased by 30 per cent.

Extension system

The extension cylinders are guided in Jordal rails over rollers.

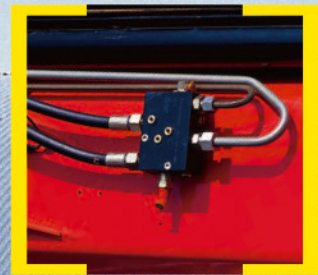
Height compensation

Functional design

- Enclosure in the area of the control valve
- Enclosure of the hoses behind the crane column
- Spiral tube hose between base frame and crane column

Optional

- The PALFINGER radio control system with digital data transmission
- The PALTRONIC 50 electronic control system
- The hydraulic overload safety device
- Hose equipment for accessories



THE PK 11502 PERFORMANCE IS EQUIPPED WITH THE PROVEN PALFINGER POWER LINK SYSTEM



Hose equipment for accessories

With this option you can provide the oil supply to accessories. The hoses are routed in compact troughs and plastic link chains. They are thus optimally protected.



Load-holding valves

They prevent the crane boom from dropping and are fitted as standard on both lifting and extension cylinders. The valves are positioned in such a way that they are protected from accidental damaged.



Control valve

It functions proportionally, is ergonomically arranged and the low leverage force permits very sensitive crane control.

Ergonomic crane control

The operating levers for all crane functions are ergonomically arranged on the control console. This provides comfortable, efficient working. The control console is positioned so that it is easy to service.

Central lubrication

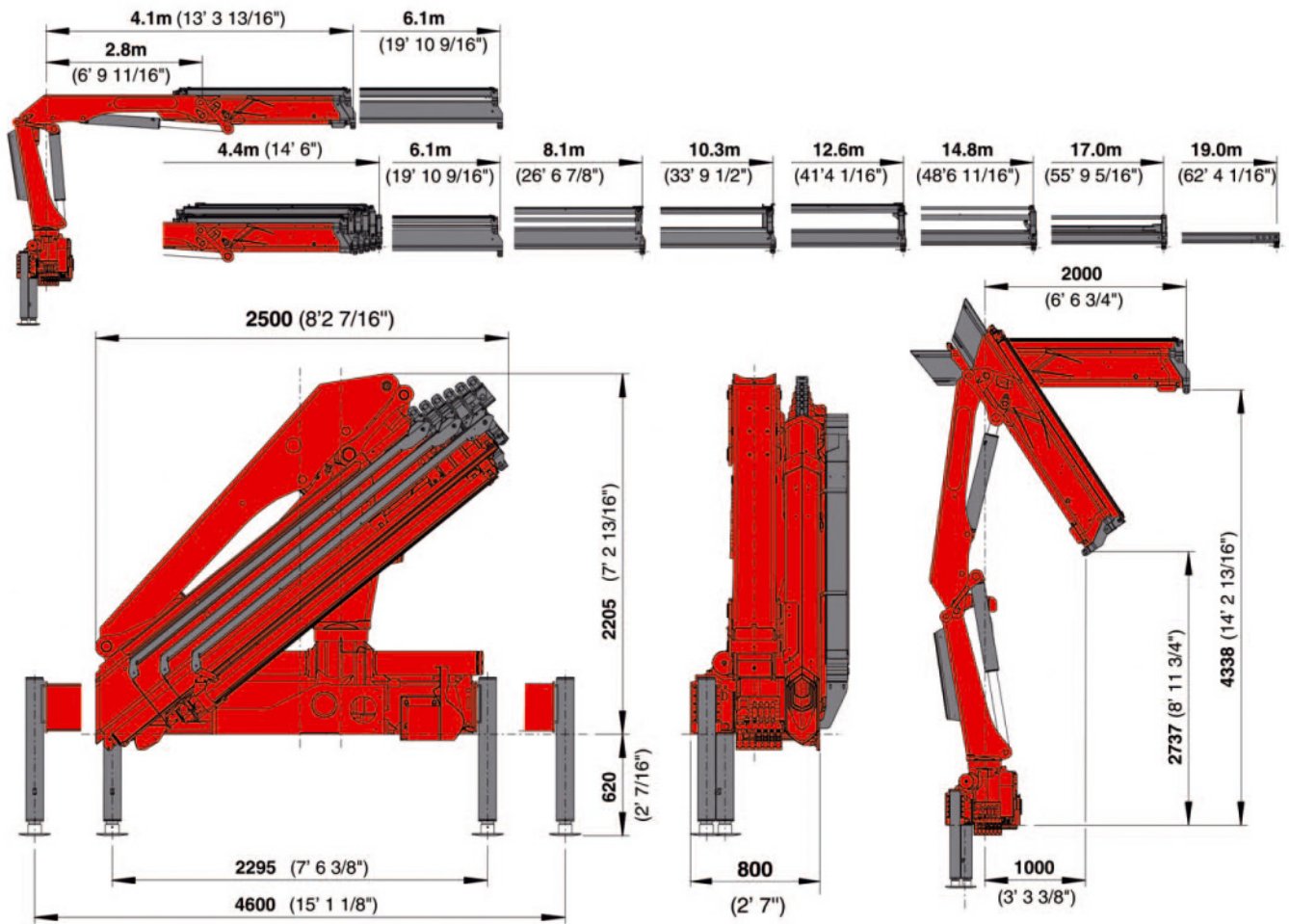
for all bearings on the base frame.

Outrigger widths

The PK 11502 Performance fits to all normal truck chassis designs. Three outrigger widths are possible: 4.6 m (15'1") mechanical, 5.6 m (18'4") respectively 6.6 m (21'8") hydraulic.



THE PK 11502 PERFORMANCE ALREADY MEETS THE REQUIREMENTS OF THE FUTURE EN 12999 CRANE STANDARD



| PK 11502 Performance | | |
|---|-------------------|--------------|
| Technical specifications (DIN 15018 H1-B3) | | |
| Max. lifting moment | 10.9 mt/107.0 kNm | 78890 ft.lbs |
| Max. lifting capacity | 6200 kg/60.8 kN | 13670 lbs |
| Max. hydraulic outreach | 17.0 m | 55' 9" |
| Maximum outreach | 0.0 m | 0' 0" |
| Slewing angle | 420° | |

| PK 11502 Performance | | |
|--|----------------------------------|------------------|
| Standard crane | | |
| Slewing torque | 1.4 mt/13.7 kNm | 10100 ft.lbs |
| Stabilizer spread standard | 4.6 m | 15' 1" |
| Stabilizer spread maximum | 6.6 m | 21' 8" |
| Fitting space required | 0.80 m | 2' 7" |
| Width folded | 2.5 m | 8' 2" |
| Operating pressure | 300 bar | 4350 psi |
| Recommended pump capacity | from 35 l/min. 7.7 imp.gal./min. | 9.2 US gal./min |
| by radio remote control and LS-System | to 50 l/min. 11.0 imp.gal./min. | 13.2 US gal./min |
| Dead weight (without mounting parts, pump and oil) | 1556 kg | 3430 lbs |

Executions shown in the leaflet are not always corresponding to standard execution. Country-specific regulations are to be observed upon attachment.



WELL SUPPORTED BY MORE THAN 1400 PALFINGER CONTRACT PARTNERS WORLDWIDE

Max. lifting capacities:

| PK 11502 Performance | | | |
|----------------------|---------|----------|-----------|
| hydraulic | | | |
| Outreach | | Capacity | |
| 1.6 m | 6200 kg | 5' 3" | 13670 lbs |
| 4.3 m | 2500 kg | 14' 1" | 5510 lbs |
| 5.9 m | 1820 kg | 19' 4" | 4010 lbs |

| PK 11502 Performance A | | | |
|------------------------|---------|----------|-----------|
| hydraulic | | | |
| Outreach | | Capacity | |
| 1.6 m | 6100 kg | 5' 3" | 13450 lbs |
| 4.3 m | 2420 kg | 14' 1" | 5340 lbs |
| 5.9 m | 1690 kg | 19' 4" | 3730 lbs |
| 7.9 m | 1250 kg | 25' 11" | 2760 lbs |

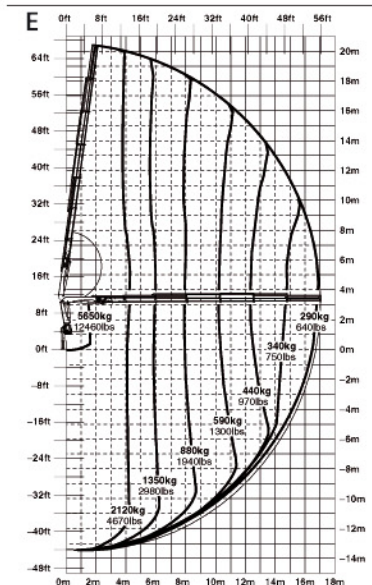
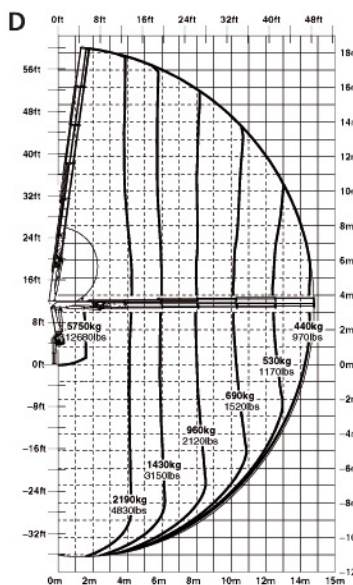
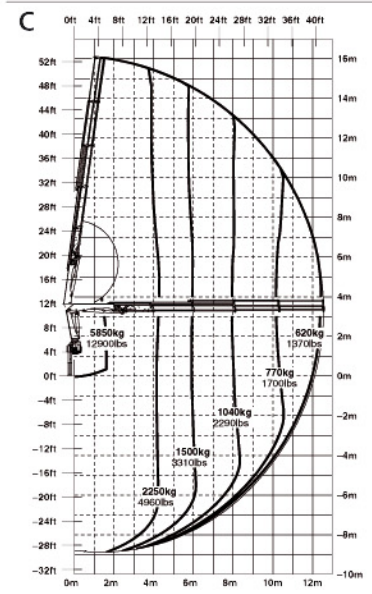
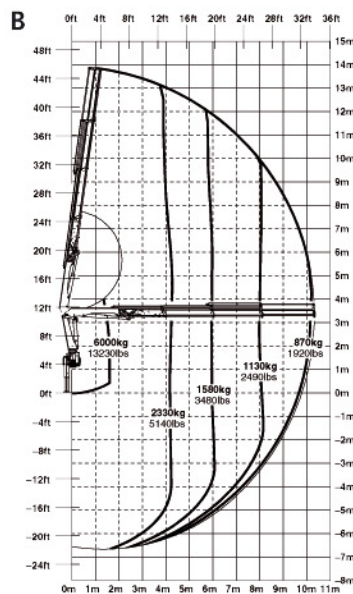
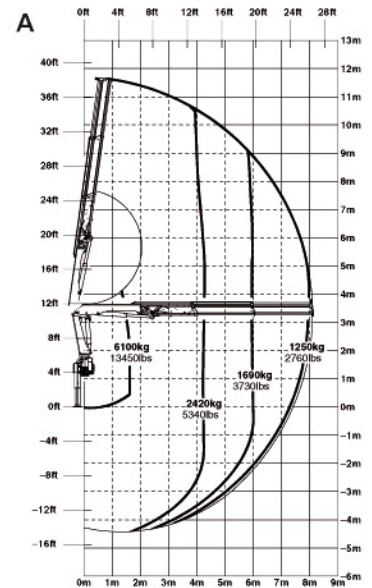
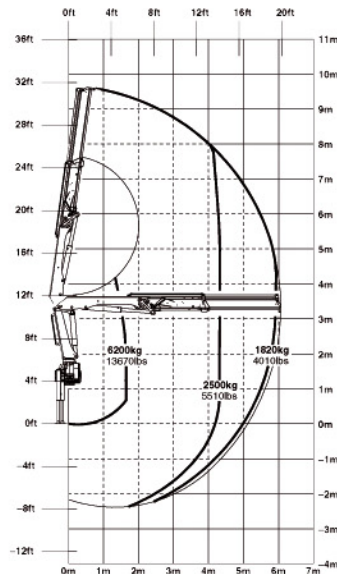
| PK 11502 Performance B | | | |
|------------------------|---------|----------|-----------|
| hydraulic | | | |
| Outreach | | Capacity | |
| 1.6 m | 6000 kg | 5' 3" | 13230 lbs |
| 4.3 m | 2380 kg | 14' 1" | 5250 lbs |
| 5.9 m | 1580 kg | 19' 4" | 3480 lbs |
| 7.9 m | 1130 kg | 25' 11" | 2490 lbs |
| 10.2 m | 870 kg | 33' 6" | 1920 lbs |
| manual | | | |
| 12.4 m | 640 kg | 40' 8" | 1410 lbs |
| 14.6 m | 490 kg | 47' 11" | 1080 lbs |
| 16.8 m | 380 kg | 55' 1" | 840 lbs |

| PK 11502 Performance C | | | |
|------------------------|---------|----------|-----------|
| hydraulic | | | |
| Outreach | | Capacity | |
| 1.6 m | 5850 kg | 5' 3" | 12900 lbs |
| 4.3 m | 2250 kg | 14' 1" | 4960 lbs |
| 5.9 m | 1500 kg | 19' 4" | 3310 lbs |
| 7.9 m | 1040 kg | 25' 11" | 2290 lbs |
| 10.2 m | 770 kg | 33' 6" | 1700 lbs |
| 12.4 m | 620 kg | 40' 8" | 1370 lbs |
| manual | | | |
| 14.6 m | 470 kg | 47' 11" | 1040 lbs |
| 16.8 m | 360 kg | 55' 1" | 790 lbs |
| 18.8 m | 290 kg | 61' 8" | 640 lbs |

| PK 11502 Performance D | | | |
|------------------------|---------|----------|-----------|
| hydraulic | | | |
| Outreach | | Capacity | |
| 1.6 m | 5750 kg | 5' 3" | 12680 lbs |
| 4.3 m | 2190 kg | 14' 1" | 4830 lbs |
| 5.9 m | 1430 kg | 19' 4" | 3150 lbs |
| 7.9 m | 960 kg | 25' 11" | 2120 lbs |
| 10.2 m | 690 kg | 33' 6" | 1520 lbs |
| 12.4 m | 530 kg | 40' 8" | 1170 lbs |
| 14.6 m | 440 kg | 47' 11" | 970 lbs |
| manual | | | |
| 16.8 m | 340 kg | 55' 1" | 750 lbs |
| 18.8 m | 270 kg | 61' 8" | 600 lbs |

| PK 11502 Performance E | | | |
|------------------------|---------|----------|-----------|
| hydraulic | | | |
| Outreach | | Capacity | |
| 1.6 m | 5650 kg | 5' 3" | 12460 lbs |
| 4.3 m | 2120 kg | 14' 1" | 4670 lbs |
| 5.9 m | 1350 kg | 19' 4" | 2980 lbs |
| 7.9 m | 880 kg | 25' 11" | 1940 lbs |
| 10.2 m | 590 kg | 33' 6" | 1300 lbs |
| 12.4 m | 440 kg | 40' 8" | 970 lbs |
| 14.6 m | 340 kg | 47' 11" | 750 lbs |
| 16.9 m | 290 kg | 55' 1" | 640 lbs |
| manual | | | |
| 18.8 m | 230 kg | 61' 8" | 510 lbs |

PK 11502 Performance



The reaches are indicated for a 20' main boom position and are therefore not the maximum ones.